



Precision Meter Data

TS30CF

Mechanical Flow Meters

MODELS: TS30CF

TS series oval gear positive displacement precision meters offer weights and measures accuracy for fluid custody transfer. The patented "Wave Form" oval gear design provides smooth and accurate operation in the meters only two parts. This package matches a TS10 or TS15 precision meter to a register. Refer to Precision Meter Technical Manual or Precision Meter Price book for complete list of options.



TS30CF64

Specifications

Capacity with standard LV rotors

Standard 5:1 Turn-down **Industrial** 30:1 Turndown

To 1500 SSU visc. (300cP) | 60 gpm (230 lpm)

Pressure Rating

Meter | 150 PSI at 100°F = 10 BAR at 40°C

Temperature Rating

Meter | -40°F to +180°F = -40°C to +80°C

Viscosity

With LV rotors | 100% capacity to 1,500 SSU (300 cP)
With HV rotors | 100% capacity to 5,000 SSU (1000 cP)

Connections

Standard | 1½ Bolted companion flanges with NPT or BSP port.
Optional | Bolted welding flanges
Bolted 150# RF ANSI adaptors, carbon steel

Materials

Case | Anodized aluminum
Gears | PPS with carbon bearings, PTFE bearings opt.
Posts | Hard chromed 303 Stainless steel
Seals | Viton™ standard, PTFE optional.
Flanges | Anodized aluminum std., carbon steel optional.

Pulser

None

Optional | 10:1 dry reed on mechanical register
100:1 solid state on mechanical register

Pulse Resolution

10:1 | **100:1**

1/10 gallon register | 10 PPG | 10 PPG
1/10 liter register | 10 PPL | 10 PPL

Measurement Approvals

NTEP	99-210
MID	GB-1366 TC8183
Measurement Canada	AV-2360

Safety Approvals

Electronics Enclosure	Flame proof/explosion proof enclosure for use in a hazardous location Class I, Division 1, Zone 1. Intertek approved (ETL) US and Canada. ATEX, IECEx.
SCL	Telemetry equipment for use in Hazardous Locations, Class 1, Division 1, Group D for US. UL approved.
TBB	Intrinsically Safe Apparatus for Class I, II and III, Division 1 for US and Canada. Intertek Approved (ETL) US and Canada.
CE	Approved

Registration, Signals and Accessories

Mechanical Registers

Register	#7887 standard (5 digit reset & 8 digit totalizer) #7886 standard (5 digit reset & 8 digit totalizer)
Register Volume	1/10 gallon or 1/10 liter standard 1/10 gallon or whole liter optional
Preset Counter	#7889 2-stage shut-off, optional micro switch kit in X-Prf enclosure
Ticket Printer	#7888 Zero Start standar, accumulative optional

Accessories

Inlet strainer for flow meter protection, air eliminator mounted on strainer, backpressure valve for enhanced air elimination on trucks, air check valve on flow meter outlet side, mechanical preset valve and electronic preset and system.






Excellence at work.
Excellence in life.

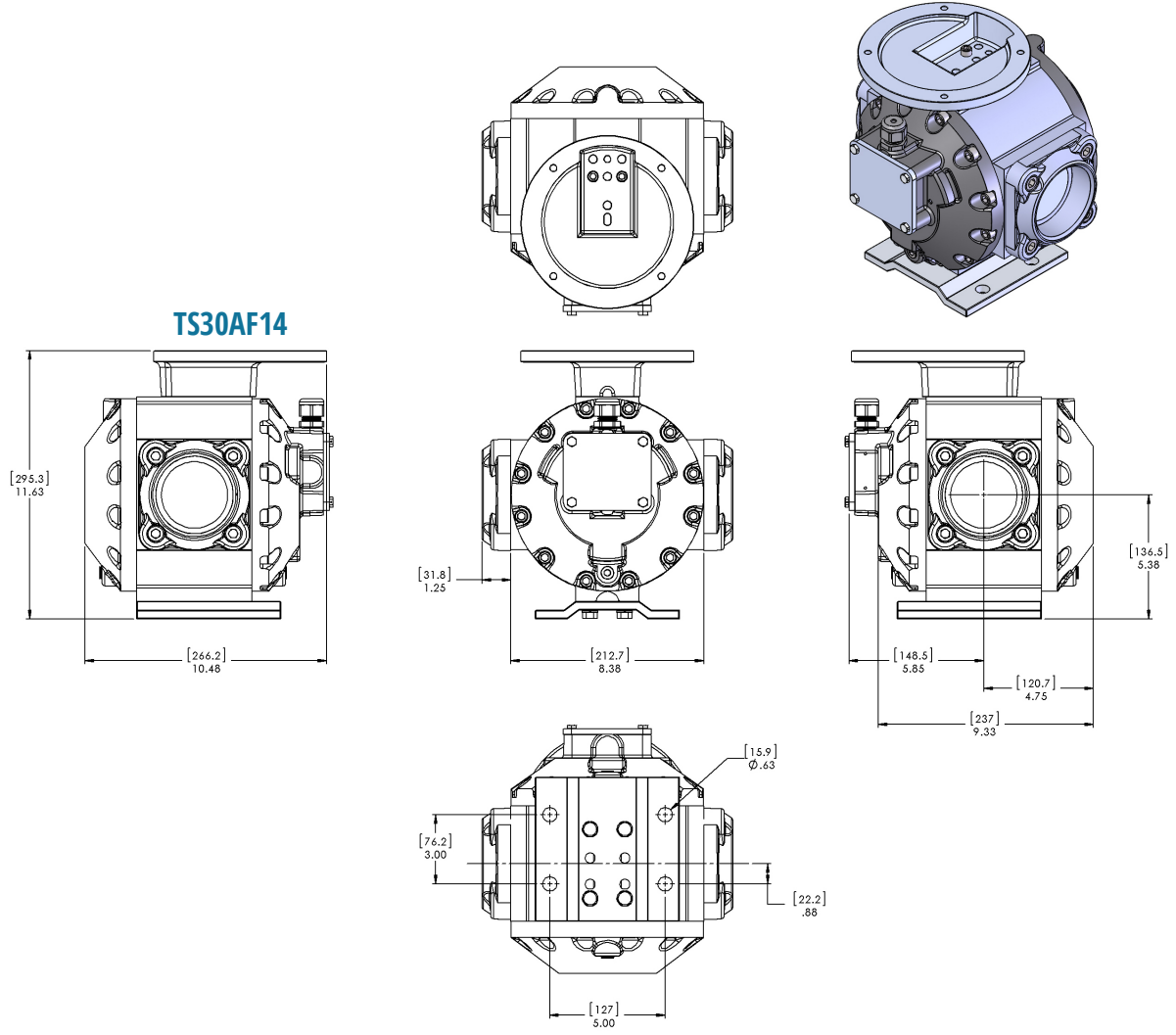
Model Number Specifications

TS							
30							
A	A Anodized Aluminum Material						
Assembly Number							
Flange	A NPT						
	B BSP						
	C 150# ANSI Adaptors						
Rotors & Seals							
	Volt						
	T 5-24	TBB ~1768 PPG					
	G 5-12	100 PPG SCL					
	L 5-12	10 PPL SCL					
	H 24	100 PPG SCL					
	K 24	10 PPL SCL					
ATEX Gland			A ATEX Gland				
Languages				E English			
				S Spanish			
				X Not Applicable			

		Nominal				
Size	Capacity	GPM	GPH	lpm	m ³ /h	
30	3"	80 mm	200	12,000	760	46

	Seals	Rotors	Bearings
A	Viton	LV	PPS/Carbon
V	Viton	HV	PPS/Carbon
F	Viton	LV	PPS/PTFE
S	Viton	HV	PPS/PTFE
B	PTFE	LV	PPS/Carbon
D	PTFE	HV	PPS/Carbon
E	PTFE	LV	PPS/PTFE
H	PTFE	HV	PPS/PTFE

F14		Meter Only - Register ready
F64		Meter Only - with EMR3 Register
F84		Meter Only - with MID:COM register



Excellence at work.
Excellence in life.