

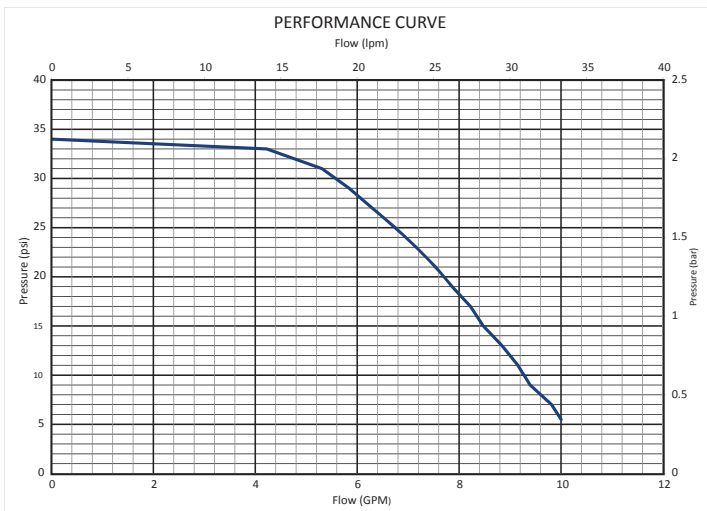
FILL-RITE DEF™

Fill-Rite DF Series DEF Pump Technical Specifications



Motor	AC	DC
Power	120 VAC	12 VDC
HZ - 50, 60, 50/60	60 Hz	N/A
HP (horsepower) Rating	1/4 HP	1/4 HP
Power Cord Length	6 ft	6 ft.
Power Cord Gauge	16 / 3	14 / 2
AMPS (FLA)	2.4 Amps	22 Amps
RPM	3400 RPM	2800 RPM
Duty Cycle	30 minutes ON / 30 minutes OFF	30 minutes ON / 30 minutes OFF
Thermal Protection	Yes	No
Circuit Protection	N/A	25 Amp Fuse

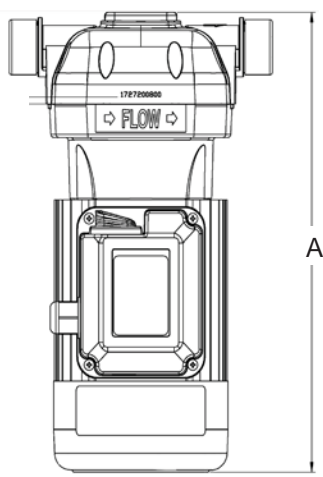
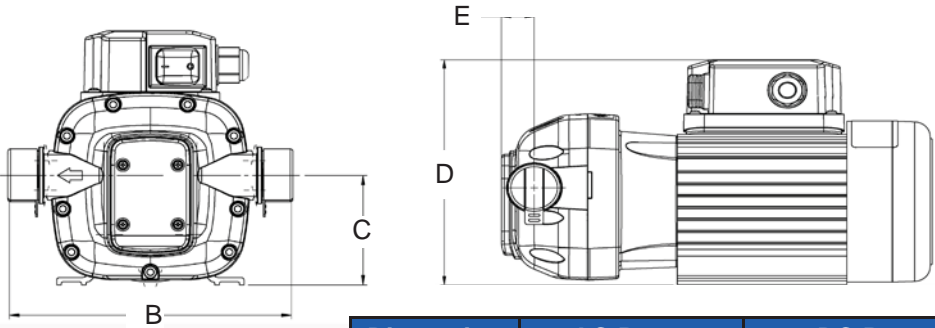
DEF Pump Performance



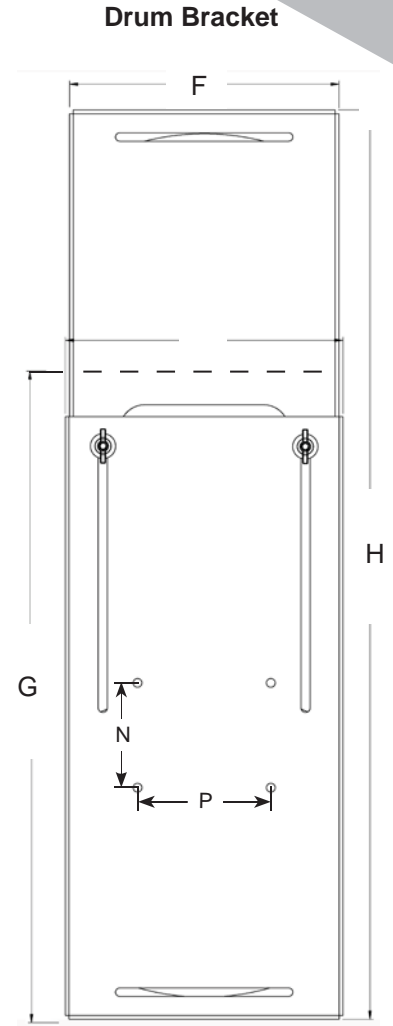
Pump

Pump Type	Diaphragm Wobble Plate
GPM in Supplied Configuration	8 GPM
GPM Open Flow	10 GPM
Bypass Pressure Rating (Max)	38 psi
Dry Vac (Hg)	6
Wetted Materials	Nylon, EPDM, Stainless Steel, Santoprene
Fluid Compatibility	Diesel Exhaust Fluid (DEF) AdBlue, Water
Inlet / Outlet	1" BSPP x 3/4" Hose Barb

DIMENSIONAL INFORMATION



Dimension	AC Pump	DC Pump
A	11.6 in / 295 mm	12.5 in / 318 mm
B	7.2 in / 183 mm	7.2 in / 183 mm
C	2.9 in / 74 mm	2.91 in / 74 mm
D	6.7 in / 17 mm	7.2 in* / 183 mm*
E	.9 in / 23 mm	.9 in / 23mm
Drum Bracket		
F	8.23 in / 209.04 mm	
G	19.61 in / 498.09 mm (Fully Compressed)	
H	27.34 in / 694.44 mm (Fully Extended)	
J	2.18 in / 55.37 mm	
Tote Bracket		
K	15.25 in / 387.35 mm	
L	11.04 in / 280.42 mm	
M	6.19 in / 157.23 mm	
N	3.15 in / 80.01 mm♦	
P	3.94 in / 100.08 mm♦	



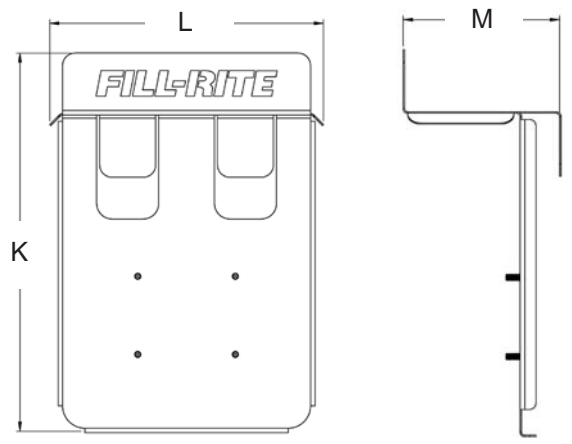
*Overall height includes carrying handle (DC models only - not pictured)
♦Holes for mounting pump are dimensionally the same on tote and drum brackets.

KITS

Kit	Description	Qty.
KITDFFK 3/4in DEF Hose Barb Kit	1" BSPP x 3/4" Hose Barb 90° elbows	2
	1" BSPP x 3/4" Hose Barb straight fittings	2
	Worm Gear Hose Clamps	4
KITDFPK DEF Pump Replacement Parts	Bypass Poppet	1
	Outlet Dampener	1
	Bypass Spring	1
	Flap Valve	1
	Flap Valve Washer	1
	Bypass Mounting Hardware	4
	Bypass Seal	1
	Check Valve Assembly	1
	Check Valve Mounting Bolt	1
	Check Valve Assembly Seal	1
	Motor Seal	1



Tote Bracket



FILLRITE.COM