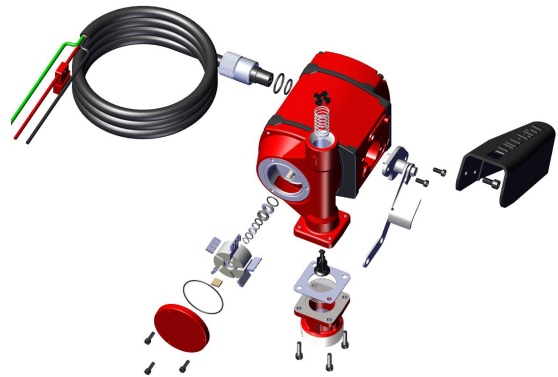


# FILL-RITE®

The Most Trusted Name in Pumps and Meters

## nextec 3200 Series Technical Specifications

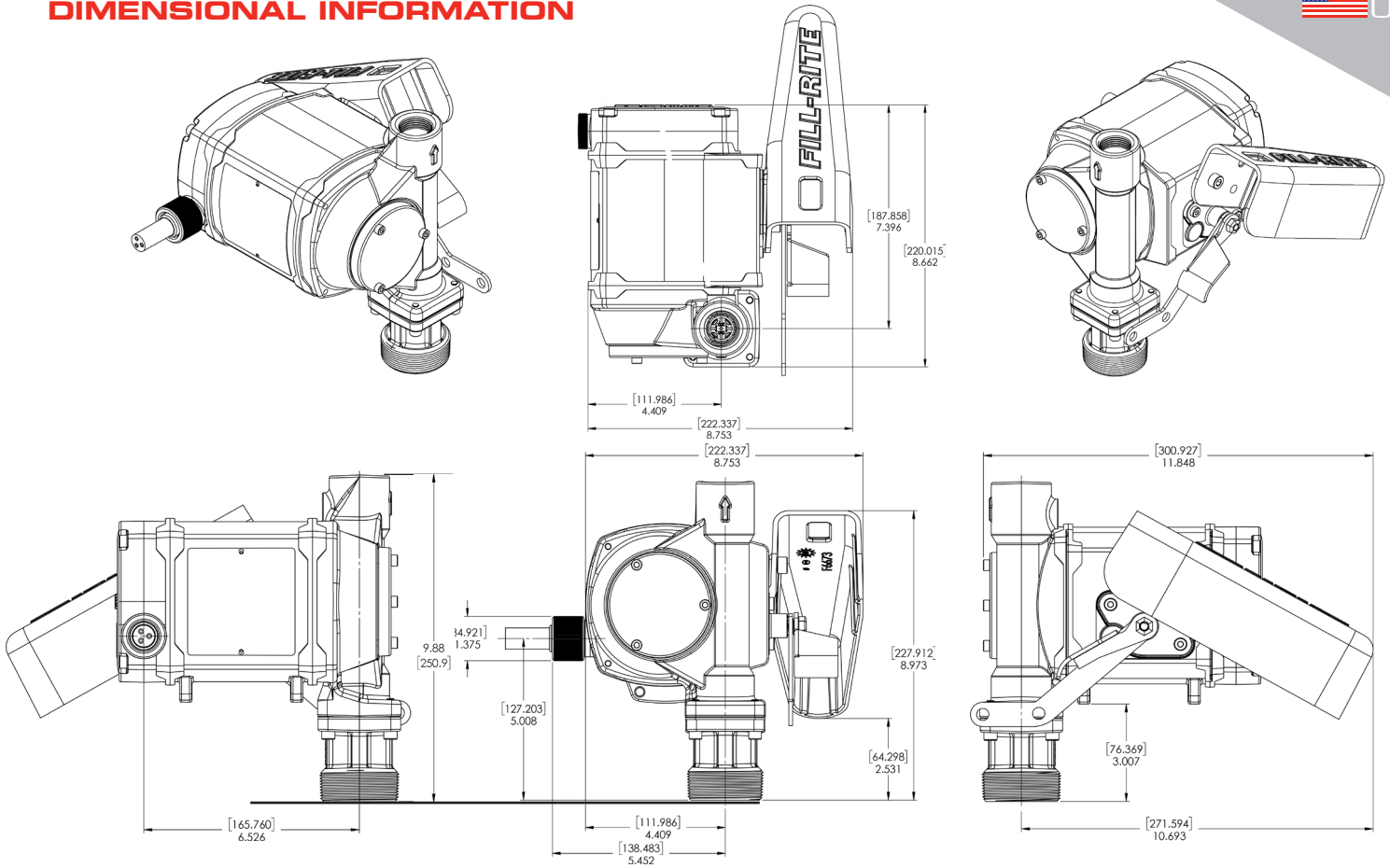


### SERVICE KIT INFORMATION

Motor	
Power - AC	115,230, 115/230 VAC
HZ	50,60,50/60
Power - DC	12, 24, 12/24
HP (Horsepower) Rating	1/3 HP
Power Cord Length (feet)	20'
Power Cord Gauge (AWG)	10 AWG
DC Power Cord Connectors	None
Amps (FLA)	30 - 15
RPM	Variable 400 - 3500
Duty Cycle	Continuous
Thermal Protection	Electronically Protected
Circuit Protection Fuse	Yes (35 AMP)
Certification	Pending
Pump	
Type / Design	Rotary Vane
GPM in Supplied Configuration	Up to 25 GPM / 94 LPM
GPM Open Flow - no Hose or Nozzle	Up to 28 GPM / 106 LPM
By-Pass Pressure Rating (PSI) - Max	21 PSI
Dry Vac (in Hg)	11
Head - Max (Ft.)	48'
Anti-Siphon Valve	None
Inlet - Size / Thread	1 - 1/4" NPT / BSPT
Outlet - Size / Thread	1" NPT / BSPP
Mount	Cast Iron
Material - Pump Housing	Cast Iron
Material - Wetted Material	BUNA-N + Fluorocarbon
Rotor Material	Powdered Iron
Rotor Vane Material	Acetal
Compatible Fluids	Diesel, Gasoline, Bio-Diesel up to B20, E15, Kerosene
Strainer Mesh Size	20 x 20
Warranty	2 Years

Kit	Description	Parts
KIT320RK	Overhaul Kit	Rotor, rotor cover, vanes, o-ring seal, shaft seal kit, bypass valve, inlet seal & screen, rotor key, attaching hardware
KIT320RG	Rotary Group	Rotor, vanes, rotor key, gasket, rotor cover, screws
KIT320SL	Shaft Seal	8 piece assembly
KIT321BV	Bypass Kit	Poppet, spring, O-ring, cap
KIT120NB	Boot Kit	Nozzle boot, attaching hardware
KIT320SK	External Seal Kit	O-ring seal, inlet gasket, rotor kit, inlet flange kit, bypass kit, shaft seal kit
KIT320BG	Inlet Kit	Inlet bung adapter, attaching hardware, inlet screen, seal.
KIT320SW	Switch / Breaker Kit	Breaker / switch assembly, switch mounting bracket, attaching hardware, cover gasket
KIT320PC	Power Cord	20' Power cord with threaded sleeve attachment and o-ring seals

# DIMENSIONAL INFORMATION



## Included Accessories

Suction Pipe Material	N/A
Suction Pipe Length	N/A
Nozzle - Size	N/A
Nozzle - Manual / Automatic	N/A
Hose Diameter	N/A
Hose Length	N/A
Hose Material of Construction	N/A
Hose Static Wire (Yes/No)	N/A
Certifications	Pending

## Measurements

Overall Height	9.88"
Overall Width	8.753"
Overall Depth	11.848"
Intake Center Line to Back of Nozzle Boot	10.693"
Shipping Weight	30 lbs.
Qty per Pallet	16
Box Dimensions:	
Length	18"
Width	15.5"
Height	10"

