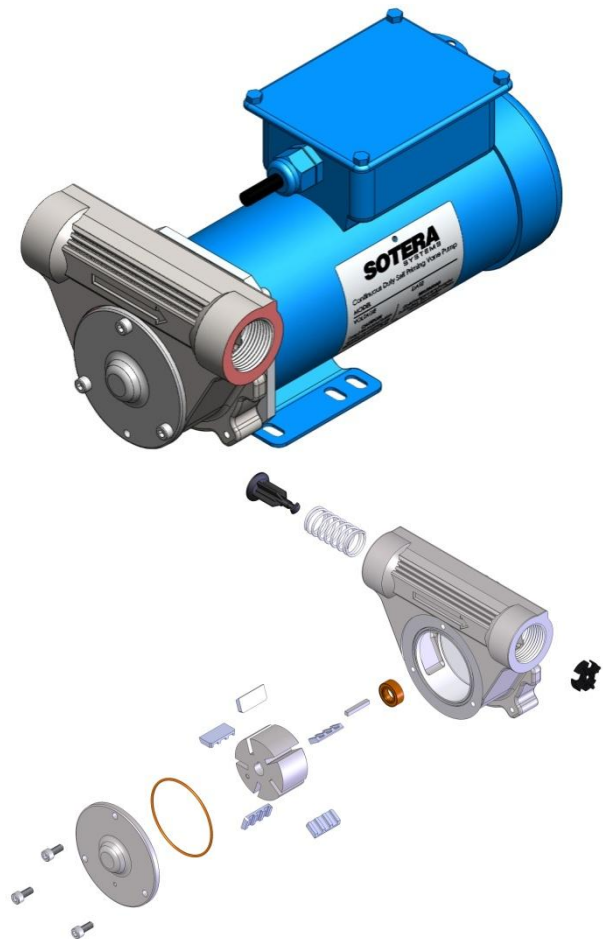


SV20 Pump S & E Data Sheet

(230 VAC / 50 Hz models*)

Technical Information (230 VAC, 50 Hz models*)

Material of Construction	
Housing	304SS
Shaft	316SS
Rotors	Proprietary SS
Vanes	POM / Acetal
Seal	Viton®
O-rings	Viton®
Product Specs	
Flow - GPM (LPM)	18 (68)
Pressure - PSI (Bar)	23 (1.59)
Min/Max Temp	14° to 104°F
Motor HP (watts)	.4 (298)
Speed - RPM	2875
Duty Cycle	Continuous
Max Viscosity - SSU	50
Motor Enclosure	TEFC
Porting Outlet	BSPB
Power Supplied	230 VAC / 50Hz
Max FLA - amps	3.1
Misc	
Mounting	Foot
Certifications	UL Recognized Motor
Mechanical or Electrical	N/A
Platform (technology)	Vane Pump



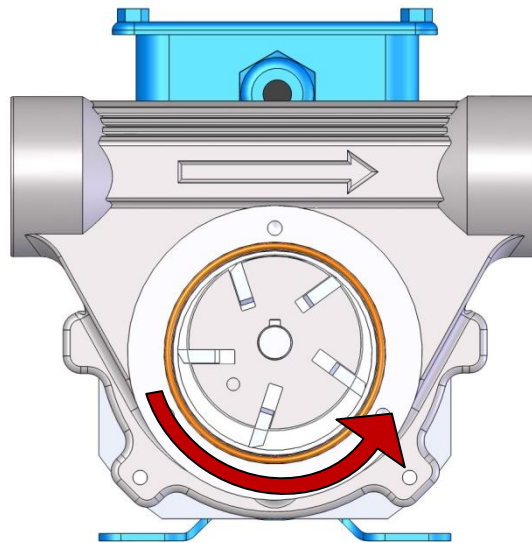
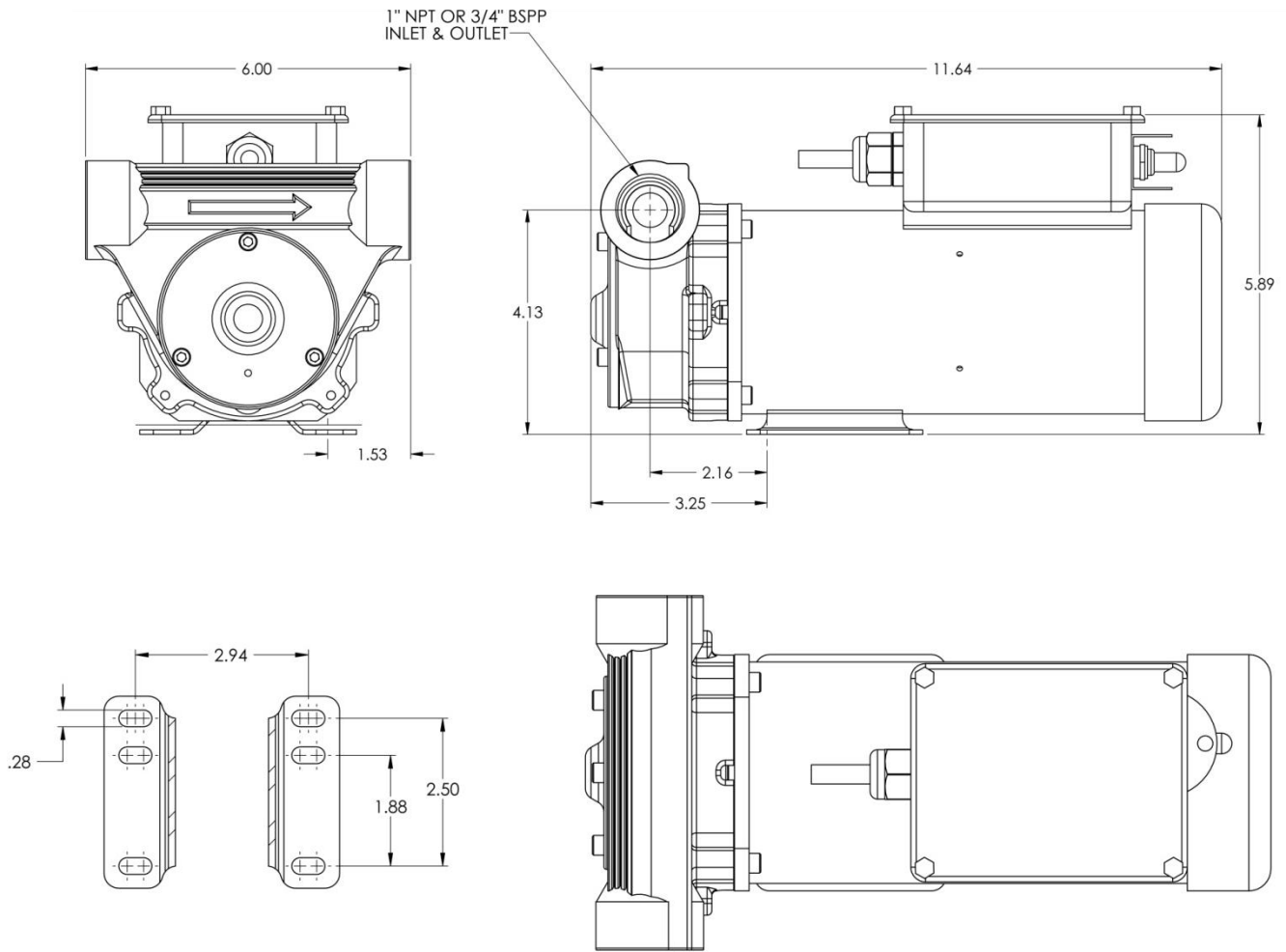
Nomenclature

LOP	Pump Type	GPM	Motor Detail	Seal	Thread	Pump Body	Pump Internals	REV
S-Sotera	V-Vane	20	A2 - 230VAC 50z 2875 RPM	D	B-BSPB	S-Stainless	D-POM-Viton Seal	0

*Applicable to model:

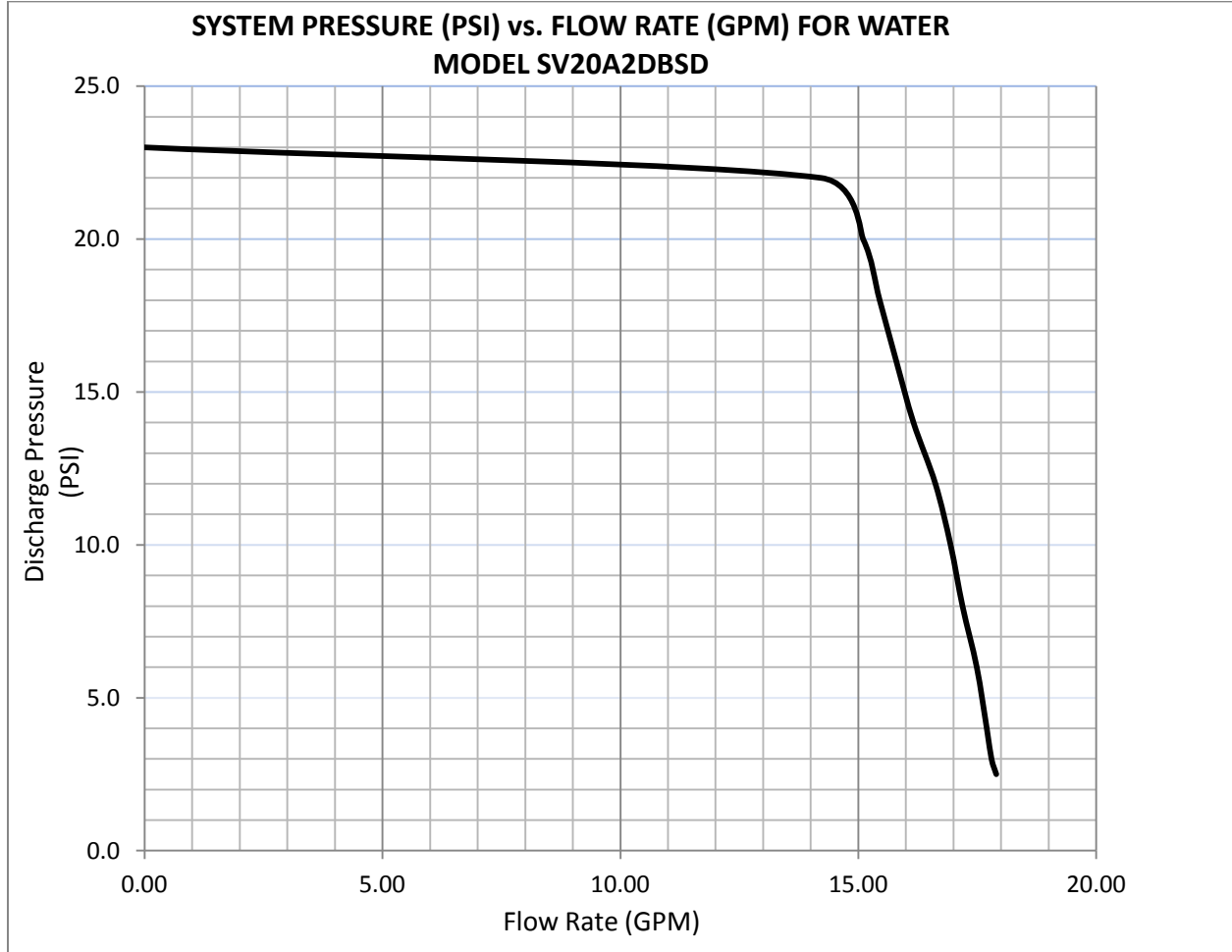
SV20A2DBSD

Dimensional Information



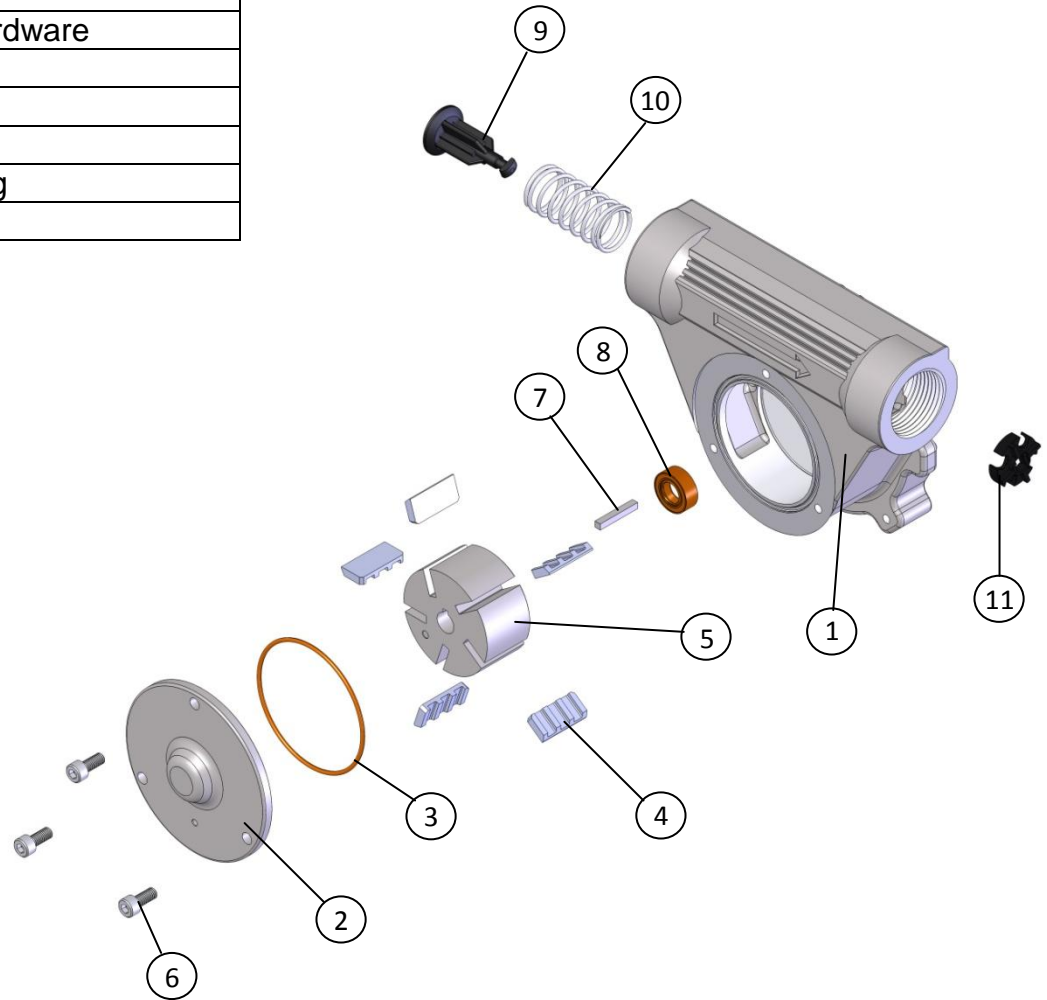
Rotation Orientation

Performance Information



Kit & Accessory Information

KIT180RG	
#	Description
1	Pump Housing (not included)
2	Rotor Cover
3	O-ring seal
4	Vanes
5	Rotor
6	Fastening Hardware
7	Rotor Key
8	Shaft Lip Seal
9	Bypass Valve
10	Bypass Spring
11	Bypass Cap



Accessories		
Part Number	Description	Contents
KITFR180MP	Tote Plate	Mounting plate for SV20 motor; accommodates pump, hose reel (KITFR32RA), and nozzle rest
KITFR32RA	Hose Reel & Support Rod	Hose Reel and Support Rod for Mounting Plate (KITFR180RA); supports and retracts hose
KITFR55DU	Drum Kit	Roller Base with Locking Roller Bearing Casters, Tote Plate Platform, Drum Lock Bar