

Owners Installation, Operation, and Safety Manual

FILL-RITE.

DEF Pump

Diesel Exhaust Fluid Transfer Pump
115 VOLT AC / 12 VOLT DC

Table of Contents

Owners Installation, Operation, and Safety Manual	1
Table of Contents	2
Thank You!	2
About This Manual	2
Safety Information	3
About DEF	3
Installation	4
Pump Only	4
Pump with Tote Mount	5
Drum Mount Option	5
Wiring Procedure.....	6
AC Receptacle	6
DC Wiring	6
Operating Instructions	6
Trouble Shooting	7
Accessories	9
Technical Information / Specifications.....	11
Fluid Compatibility.....	12
Safety Testing Approvals	12

Thank You!

Thank you for your purchase of the Diesel Exhaust Fluid pump! Your Fill-Rite product comes with over 80 years of pump manufacturing experience behind it, providing you the value that comes with superior performance, user friendly design, long service life, and solid, simple engineering. Experience that gives you peace of mind.

Rest Easy – It’s Tuthill!

About This Manual

From initial concept and design through its final production, your Fill-Rite pump is built to give you years of trouble free use. To insure it provides that service, **it is critical that you read this entire manual prior to attempting to install or operate your new pump.** Become familiar with the terms and diagrams, and pay close attention to the highlighted areas with the following labels:



WARNING! Emphasizes an area in which personal injury or even death could result from failure to follow instructions properly. Mechanical damage may also occur.



IMPORTANT! These boxes contain information that illustrates a point that may save time or may be key to proper operation, or clarifies a step.



CAUTION! Failure to observe a “Caution” can cause damage to the equipment.

At Fill-Rite, your satisfaction with our products is paramount to us. If you have questions or need assistance with your product, please contact us at 1-800-634-2695 (M-F 8 AM–5 PM EST).

Safety Information



WARNING! To insure safe and proper operation of your equipment, it is critical to read and adhere to all of the following safety warnings and precautions. Improper installation or use of this product can cause serious bodily injury or death!

- 1) Maintaining the purity of AUS32 (Aqueous Urea Solution 32.5%) is critical; as such, it is imperative once the system is assembled, it must remain sealed to insure the integrity of the fluid. Breaking the seal on the system can lead to fluid contamination.
- 2) After dispensing DEF be certain to drain all the fluid from the nozzle, making sure it is pointing downward when stored in the nozzle boot. DEF remaining in the nozzle tip and exposed to air will crystallize and can plug the nozzle.
- 3) **DO NOT** lay the dispensing nozzle on the ground or any surface that may contaminate the nozzle tip as this can compromise the purity of the DEF.
- 4) Inlet and outlet threads are BSPP style and require no special sealant.
- 5) Storage tanks should be securely anchored to prevent shifting or tipping when full or empty.
- 6) The pump motor is equipped with thermal overload protection; if overheated, the motor will shut off to prevent damage to the windings. If this happens, **TURN THE PUMP OFF!** When the motor cools, it will restart without warning if the power is on.



WARNING! This pump is not for use with fluids that have a flash point below 100°F (37.8°C, ie: gasoline, alcohol). Refer to NFPA 325M (Fire Hazard Properties of Flammable Liquids, Gases, and Volatile Solids) for flash points of common liquids. Static electricity buildup and discharge could result in arc and explosion.



WARNING! DO NOT use the pump with fluids intended for human consumption.

About Diesel Exhaust Fluid (DEF)

The Fill-Rite DEF pump is designed to pump AUS32 (Aqueous Urea Solution 32.5%), better known as Diesel Exhaust Fluid, or “DEF”.

AUS32 is used by modern diesel engines which are equipped with an SCR (Selective Catalytic Reduction) system. DEF never comes into contact with the fuel; the common misconception is that it is an additive. DEF is carried onboard the vehicle in its own storage tank. It is injected into the exhaust gases as a post combustion process through an SCR where it breaks harmful NOx (Nitrous Oxide) emissions down into mostly Nitrogen and Oxygen.

Because the specific purity of the AUS32 solution is critical to the catalytic reaction, the Fill-Rite DEF pump is designed to maintain the integrity by using components made of materials that will not taint or alter the solutions chemical structure.



IMPORTANT! After initial assembly and installation, flush the entire dispensing system by pumping 5 – 10 gallons of DEF through it. This purges the system of air, and insures any impurities that may have been in the system are washed out. Dispose of the DEF used to flush the system using approved DEF handling procedures; do not return the fluid to the drum or tote, or use it in a vehicle.

Installation

The DEF pump is designed to offer a variety of mounting possibilities, including as a Drum Pumping Station, and as a Tote Pumping Station. It also features an integral bypass valve to help minimize wear when the pump is operating with the nozzle closed.



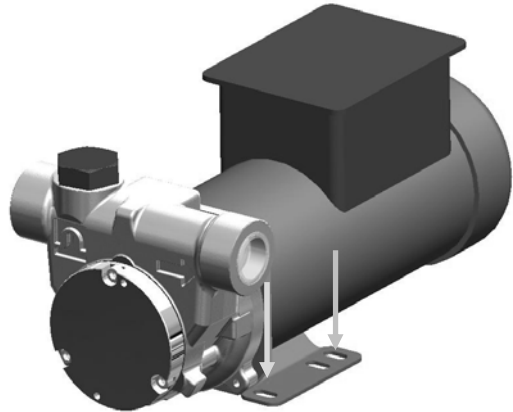
CAUTION! Threaded pipe joints and connections must be sealed with the appropriate sealant or sealant tape for the fluid being pumped to minimize the possibility of leaks.

Pump Only

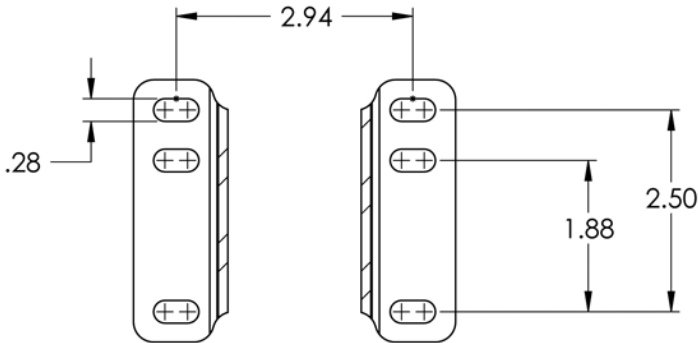


CAUTION! DO NOT mount the pump in a manner or location that will allow it to sit in standing or flowing water.

The DEF pump is designed for year round use indoors and out. The pump should be bolted securely to a solid, stationary surface using at least 4 bolts.



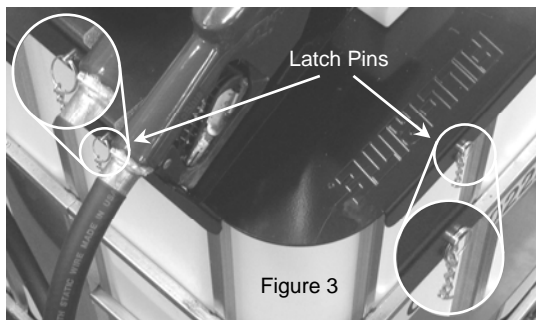
The DEF pump can be installed horizontally or vertically, allowing a variety of mounting options.



Pump Base Mounting Hole Configuration

Pump with Tote Mount

For convenience and ease of exchange, Fill-Rite offers a Tote Mount package that provides a solid, easy to use dispensing platform for your DEF needs while allowing quick, easy moves from one tote tank to the next.



The Tote Mount package includes a DEF pump, digital meter, hoses, nozzle, mounting platform, and hose support retractor. The Tote Mount is designed to fit snugly against the top framework of most tote tanks, and latches into position using two locking pins that connect to the tote tank framework (figure 3).

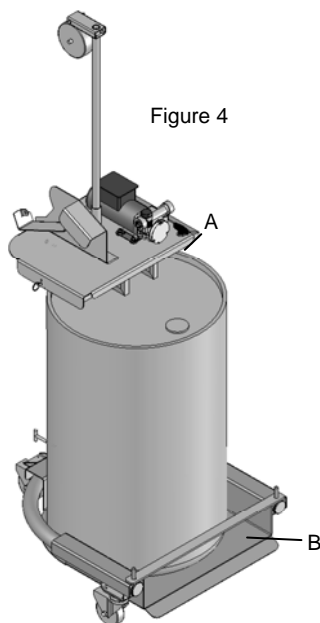
Once installed, use the hand knob at the rear of the mount platform to tighten the mount firmly against the tote rails (assembly instructions are included with the Tote Mount Kit).

Drum Mount Option

Fill-Rite offers an optional Drum Mount package that works in conjunction with the Tote Mount to provide pumping ability from barrels and drums. This package provides a stable, secure platform for the Tote Mount, positioning it over the container for convenience and efficiency (figure 4).

The Tote Mount fits on top of the Drum Mount, securing to the framework as it does a tote tank. Latch it securely into place with the latching pins (as in figure 3 above), and use the knob at the rear (item A) to tighten the platform to the Drum Mount.

The Drum Mount features a base plate that will accept up to a 55 gallon drum in the base, allowing it to move freely with the entire unit. Lift the lock bar (item B) off the positioning posts and slide the drum into position. Reinstall the bar. Connect the suction side hose (not included) to the drum adapter (not included). Be certain the connection is sealed to insure proper draw of fluid and to maintain the integrity of the DEF.



Electrical Wiring

Wiring Procedure



WARNING! Electrical wiring should be performed **ONLY** by a licensed electrician in compliance with local, state, and national electrical code NEC/ANSI/NFPA 70, NFPA30, and NFPA 30A, as appropriate to the intended use of the pump. Threaded rigid conduit, sealed fittings, and conductor seal should be used. The pump must be properly grounded. Improper installation or use of this pump can result in serious bodily injury, or death!



CAUTION! All pumps should operate at the rated nameplate voltage. Power should be supplied to the pump from a dedicated 20 amp circuit breaker. No other equipment should be powered by this circuit. Wiring must be of sufficient size to carry the correct current for the pump. Voltage drop will vary with distance to pump and size of wire; refer to the National Electrical Code (NEC), or local codes, for voltage drop compensation to be sure you are using the correct size wire for your application.

AC Receptacle

AC pumps are equipped with a conventional 110 VAC 3-prong grounded plug. This pump can be plugged into any conventional grounded receptacle. The receptacle circuit must be protected with a 20 amp circuit breaker.



WARNING! THIS PRODUCT MUST BE GROUNDED! DO NOT defeat the ground prong on the plug by using an adapter, or otherwise modifying the plug. **DO NOT** plug this appliance into an ungrounded receptacle.

DC Wiring

DC pumps are connected to the power source by way of the power cord. The power cord terminates in red and black alligator clamps; connect the red clamp to the positive post of the DC power source, and the black clamp to the negative post.

Operating Instructions

1. If so equipped, reset Meter to "0"(do not reset while in use as this can cause damage to the meter).
2. Remove dispensing nozzle from nozzle boot.
3. Move the switch lever to the "ON" position to power the pump.
4. Insert the dispensing nozzle into the container to be filled.
5. Operate the nozzle to dispense fluid; release nozzle when the desired amount of fluid has been dispensed.
6. Move switch lever down to the "OFF" position to turn off the pump.
7. Remove the dispensing nozzle from the container and store it in the nozzle boot.



CAUTION! Always keep the nozzle in contact with the container being filled **during the filling process** to minimize the possibility of static electricity build up or discharge.

Trouble Shooting

The following “Trouble Shooting” guide is provided to offer basic diagnostic assistance in the event you encounter abnormal service from your Tuthill product.



WARNING! DO NOT open or attempt to repair the motor on your Tuthill pump. Return it to the place of purchase for service. Opening the motor case can compromise the integrity of the Explosion Proof construction (if equipped with an Explosion Proof motor) and will void any existing warranty and certification (UL listing).



WARNING! Be certain all power to the pump is turned off prior to performing any service or maintenance.



IMPORTANT! When performing diagnosis and repairs to a DEF pump, it is very important you take the necessary steps to guarantee the purity of the DEF fluid.

- 1) Maintaining the purity of AUS32 (Aqueous Urea Solution 32.5%)/ DEF is critical; as such, it is imperative once the system is assembled, it must remain sealed to insure the integrity of the fluid. **Breaking the seal on the system can lead to fluid contamination.**
- 2) After dispensing DEF be certain to drain all the fluid from the nozzle, making sure it is pointing downward when stored in the nozzle boot. DEF remaining in the nozzle tip and exposed to air will crystallize and can plug the nozzle.
- 3) **DO NOT** lay the dispensing nozzle on the ground or any surface that may contaminate the nozzle tip as this can compromise the purity of the DEF.
- 4) Standard threads on the DEF pump are BSPP style and require no special sealant; if your pump was special ordered with NPT threads, use the appropriate sealant for the fluid you are pumping.
- 5) Use new latex gloves and work in as clean and dust free an environment as possible to reduce the risk of airborne contaminants entering the DEF pump, hose, and container.
- 6) To minimize the amount of fluid returning to the storage tank prior to service, **turn the pump off**, and open the nozzle into a container to drain the fluid in the hose. Pull the hose down to maximize the amount of fluid drained from the system. When the flow has stopped, close the nozzle.
- 7) DEF crystallizes when exposed to air; therefore, it is desirable to minimize the amount of time the DEF wetted components in the delivery system (pump, hose, meter, and nozzle) are open.
- 8) After repairs have been completed and the system reassembled, flush the entire dispensing system by pumping 5 – 10 gallons of DEF through it. This purges the system of air, and insures any impurities that may have entered the system are washed out. Dispose of the DEF used to flush the system using approved DEF handling procedures; do not return the fluid to the drum or tote, or use it in a vehicle. **Any repair requiring the sealed system to be opened will require this procedure!**

Symptom	Cause	Cure
Pump won't prime.	1. Suction line problem.	Check for leaks in suction line
	2. Bypass valve open.	Remove and inspect valve; must move freely & be free of debris.
	3. Vanes sticking.	Check vanes and slots for nicks, burrs and wear.*
	5. Excessive rotor or vane wear.	Inspect rotor & vanes for excessive wear or damage; replace if necessary.*
	6. Outlet blocked.	Check pump outlet, hose, nozzle & filter for blockage.
	7. Vapor Lock	Reduce vertical and horizontal distance from pump to liquid; remove automatic nozzle.
	Low capacity.	1. Excessive dirt in screen.
2. Suction line problem.		Check suction line for leaks or restrictions; it may be too small, too long or not airtight.
3. Bypass valve sticking.		Remove and inspect valve; must move freely & be free of debris.
4. Vanes sticking.		Check vanes and slots for wear.
5. Excessive rotor or vane wear.		Inspect rotor & vanes for excessive wear or damage; replace if necessary.*
6. Hose or nozzle damage.		Replace hose or nozzle.
Pump runs slowly.	1. Incorrect voltage.	Check incoming line voltage while pump is running.
	2. Vanes sticking.	Inspect vanes and slots for nicks, burrs and wear.*
	3. Wiring problem.	Check for loose connections.
	4. Motor problem.	Return to place of purchase.
Motor stalls.	1. Bypass valve sticking.	Remove and inspect valve; must move freely & be free of debris.
	2. Low voltage.	Check incoming line voltage while pump is running.
	3. Excessive rotor or vane wear.	Check rotor & vanes for excessive wear or damage.*
	4. Debris in pump cavity.	Clean debris from pump cavity.
	2. Clogged screen.	Remove and clean screen.
	3. Restricted suction pipe.	Remove and clean pipe.
	4. Motor failure.	Return to place of purchase.
Motor Inoperative.	1.No power	Check incoming power.
	2. Switch failure.	Return to place of purchase.
	3. Motor failure.	Return to place of purchase.
	4. Incorrect/loose wiring.	Check wiring.
Fluid leakage.	5. Bad o-ring gasket.	Check all o-ring gaskets.
	6. Dirty shaft seal.	Clean seal & seal cavity.
	7. Bad shaft seal.	Replace seal.
	8. Incompatible fluid.	Refer wetted parts list to fluid manufacturer.
	9. Loose fasteners.	Tighten fasteners.
Pump hums but will not operate.	10. Motor Failure	Return to place of purchase.
	11. Broken Key.	Remove any debris and replace key.
	12. Rotor Vanes locked in DEF crystals.	* See detailed explanation on page 9.

***IMPORTANT INFORMATION ON DEF “CRYSTAL LOCKED” ROTORS:** DEF will crystallize almost immediately upon contact with air; if air gets to the DEF in the rotor cavity, it can crystallize the DEF and lock the rotor in place. If this occurs, the following procedure will clear the vanes of crystals and return the pump to operation:

- 1) Remove the strainer cover
- 2) Pour de-ionized water into the strainer opening; the DEF crystals will dissolve instantly.
- 3) Reinstall strainer cover and torque to 50 inch lbs.
- 4) Pump at 5 - 10 gallons of DEF through the system to flush the water from the pump.

Bold text indicates repairs that are not serviceable by the owner; pump must be returned to the point of purchase for repairs.

If you have questions regarding installing, operating, or servicing your product, please feel free to contact our Customer Service Department at 1-800-634-2695 (M-F 8 AM-5 PM EST). You can also reach us on the World Wide Web at “www.tuthill.com”.



WARNING! DO NOT open or attempt to repair the motor on your Tuthill pump. Return it to the place of purchase for service. Opening the motor case can compromise the integrity of the Explosion Proof construction (if equipped with an Explosion Proof motor) and will void any existing warranty and certification (UL listing).

Accessories

A wide variety of accessories are available to help you maximize the performance of your Tuthill / Fill-Rite pump. Listed below are the applicable available accessories for your specific product. Please contact your Tuthill / Fill-Rite distributor to purchase the accessories you need.

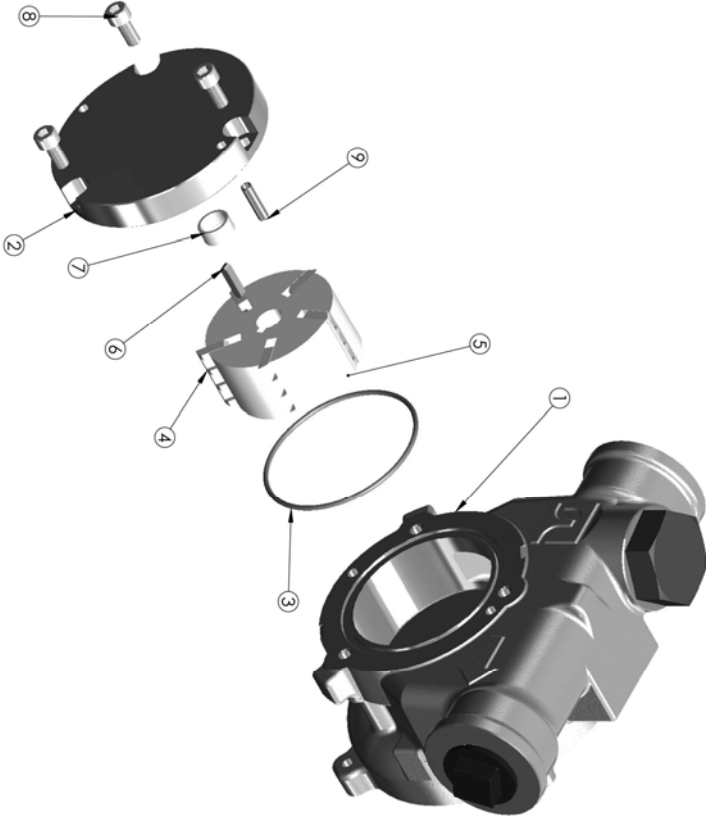
Part Number	Description	Contents
FRSA120801MATU	Tote Kit	115 VAC DEF Pump, platform, hose retractor & rod, digital meter, automatic nozzle, 8 GPM.
FRSA140801MATU	Tote Kit	115 VAC DEF Pump, platform, hose retractor & rod, digital meter, automatic nozzle, 8 GPM.
FRSD120801MATU	Tote Kit	12 Volt DC DEF Pump, platform, hose retractor & rod, digital meter, automatic nozzle, 8 GPM.
FRXSA120801MATU	Tote Kit	115 VAC Explosion Proof DEF Pump, platform, hose retractor & rod, digital meter, automatic nozzle, 8 GPM.
FRXSA140801MATU	Tote Kit	115 VAC Explosion Proof DEF Pump, platform, hose retractor & rod, digital meter, automatic nozzle, 8 GPM.
KITFR55DU	Drum Kit	Roller Base
		Platform
		Drum Lock Bar
825D075BSPP	Digital Meter	Sotera 825 Series Digital Meter
075UMN11	¾" Nozzle	¾" Manual Nozzle
FRH7514	14' x ¾" Hose	14' X ¾" Hose with Static Wire

Replacement Parts

Proper maintenance and repairs will help keep your Fill-Rite product running for a long time. The following parts are available should the need arise, and can be obtained through your Fill-Rite distributor. For DEF applications, maintaining the purity of the fluid is paramount, so we encourage you to use only genuine Fill-Rite parts any time your pump needs service to maintain the integrity of its construction and your DEF.

Kit #	Description	Contents
KITFR32V	DEF Pump Rotor Kit	#1 Pump Housing (not included in kit)
		#2 Rotor Cover
		#3 O-ring Seal
		#4 Rotor Vane
		#5 Rotor
		#6 Rotor Key
		#7 Sleeve Bearing
		#8 Fastening Hardware
		#9 Locator Pin

DEF Pump Rotor Assembly



Tuthill Product Warranty

Tuthill Transfer Systems (“Manufacturer”) warrants each consumer buyer of its Fill-Rite products (“Buyer”) from the date of invoice or sales receipt, that goods of its manufacture (“Goods”) shall be free from defects of materials and workmanship. Duration of the warranty is as follows:

- Heavy Duty Products – Two Years
- Standard Duty Products – One Year
- Economy Duty Products – One Year
- Cabinet Pumps, Parts, and Accessories – One Year

Manufacturers sole obligation under the foregoing warranties will be limited to either – at Manufacturers option – repairing or replacing defective goods (subject to limitations hereinafter provided) or refunding the purchase price for such Goods theretofore paid by the buyer, and Buyers exclusive remedy for breach of any such warranties will be enforcement of such obligations of the Manufacturer. If the Manufacturer so requests the return of such Goods, the Goods will be redelivered to the manufacturer in accordance with Manufacturers instructions FOB Factory. The remedies contained herein shall constitute the sole recourse of the Buyer against the Manufacturer for breach of warranty. **IN NO EVENT SHALL THE MANUFACTURER’S LIABILITY FOR ANY CLAIM FOR DAMAGES ARISING OUT OF THE MANUFACTURE, SALE, DELIVERY, OR USE OF THE GOODS EXCEED THE PURCHASE PRICE.** The foregoing warranties will not extend to goods subject to misuse, neglect, accident, improper installation or maintenance, or have been repaired by anyone other than the Manufacturer or its authorized representative. **THE FOREGOING WARRANTIES ARE EXCLUSIVE AND IN LIEU OF ALL OTHER WARRANTIES OF MERCHANTABILITY, FITNESS FOR PURPOSE OF ANY OTHER TYPE, WHETHER EXPRESSED OR IMPLIED.** No person may vary the forgoing warranties or remedies, except in writing signed by a duly authorized officer of the Manufacturer. The Buyer’s acceptance of delivery of the Goods constitutes acceptance of the foregoing warranties and remedies, and all conditions and limitations thereof.

Model Number		UPC Bar Code	
Manufacture Date		Serial Number	

Technical Information / Specifications

DEF Pump & Motor Features & Specifications

- Inlet: 3/4" or 1" BSPP or NPT (3/4" BSPP standard)
- Outlet: 3/4" or 1" BSPP or NPT (3/4" BSPP standard)
- Stainless steel housing, rotor cover, bypass spring, strainer, and motor shaft
- Rotor, vanes, seals, and all other non-metallic parts made of approved co-polymer
- Easy access strainer
- Automatic bypass valve
- Continuous duty 1/2HP or 1/4HP AC motor with capacitor start
- Continuous duty 1/2HP DC motor
- AC, AC explosion-proof – 115, 115/230 VAC – 60Hz/1Ø
- DC, or DC explosion-proof – 12VDC, 12/24VDC
- Thermal overload protection and heavy duty switch

DEF Pump & Motor Performance

- Pressure ~ 30PSI (2.07 bar) bypass valve setting
- 7 – 19 GPM (26.5 – 72 LPM)
- TDH = 64 feet at bypass valve rating
- Operating temperature ~ 5° – 120°F*

Overall Dimensions:

AC DEF Pump: 14.15" wide X 11.825" high x 11.5" deep.

DC DE Pump: 14.15" wide X 16.6" high x 11.675" deep.

Tote Kit: 15.25" wide x 16.1" high x 14.1" deep.

55 Gallon Drum Kit:

Shipping Weight:

AC DEF Pump: 25 lbs.

DC DEF Pump: 25 lbs.

Tote Kit: 42 lbs.

55 Gallon Drum Kit: 75 lbs.

Accessories:

➤ See Page 9 for a complete list of available accessories.

Fluid Compatibility

Diesel Exhaust Fluid (Aqua Urea 32.5% solution) Diesel Fuel Bio-Diesel (up to B20)
Gasoline Kerosene Mineral Spirits Stoddard Solvents Heptane



IMPORTANT! If in doubt about compatibility of a specific fluid, contact supplier of fluid to check for any adverse reactions to the following wetted materials:

Stainless Steel

Fluorocarbon

Polypropylene

Polyoxymethylene

Safety Testing Approvals

The *Fill-Rite* line of pumps have been safety tested for compliance to the standards set forth by UL Laboratories. Certificates of Compliance have been obtained from UL Laboratories.



Certificates for Compliance of Safety have been obtained for the following agencies for products sold outside the US and Canada. Please refer to the tag on your particular product for its particular compliance data.



CENELEC standards



Manual de instalación, operación y seguridad del propietario

FILL-RITE.

Bomba de DEF

Bomba de transferencia
de líquido de escape diesel
115 VOLTIOS CA / 12 VOLTIOS CC

Tabla de contenido

Tabla de contenido.....	2
¡Gracias!.....	2
Acerca de este manual	2
Información de seguridad.....	3
Sobre el líquido de escape diesel (DEF)	3
Instalación.....	4
Sólo bomba.....	4
Bomba con montaje de transferencia	5
Opción de montaje en tambor.....	5
Procedimiento de cableado.....	6
Tomacorriente de CA.....	6
Cableado de CC.....	6
Instrucciones de operación.....	6
Solución de problemas.....	7
Accesorios.....	9
Información técnica y especificaciones.....	11
Compatibilidad de líquidos.....	12
Aprobaciones de pruebas de seguridad	12

¡Gracias!

¡Gracias por adquirir la bomba de líquido de escape diesel! Su producto Fill-Rite cuenta con más de 80 años de experiencia en la fabricación de bombas, lo que le brindará el valor que acompaña al rendimiento superior, un diseño fácil de usar, una larga vida útil y un diseño de ingeniería simple y resistente. La experiencia que le proporciona tranquilidad.

¡Relájese, es Tuthill!

Acerca de este manual

Desde el concepto y el diseño inicial hasta el producto final, su bomba Fill-Rite se fabrica para darle años de servicio sin ningún problema. Para garantizar que proporcione dicho servicio, **es fundamental que lea por completo este manual antes de intentar instalar y operar su nueva bomba.** Familiarícese con los términos y diagramas, y ponga mucha atención a las áreas destacadas con las siguientes etiquetas:



¡ADVERTENCIA! Destaca un área en que se pueden producir lesiones personales e incluso la muerte si no se siguen las instrucciones de manera adecuada. También se pueden producir daños mecánicos.



¡IMPORTANTE! Estos cuadros contienen información que ilustra un punto que podría ahorrar tiempo o ser clave para la operación adecuada, o que clarifica un paso.



¡PRECAUCIÓN! No poner atención al aviso de "Precaución" podría provocar daños al equipo.

En Fill-Rite, su satisfacción con nuestros productos es primordial para nosotros. Si tiene cualquier duda o necesita asistencia con nuestros productos, comuníquese con nosotros en el 1-800-634-2695 (lunes a viernes de 8 AM a 5 PM, hora del Este).

Información de seguridad



¡ADVERTENCIA! Para garantizar una operación segura y adecuada de su equipo, es fundamental leer y respetar todas las siguientes precauciones y advertencias de seguridad. ¡La instalación o el uso incorrectos de este producto pueden provocar lesiones físicas graves o la muerte!

- 1) Es fundamental mantener la pureza de la solución acuosa de urea al 32,5% (AUS32), por lo tanto, es imprescindible que una vez que se monte el sistema, éste permanezca sellado para garantizar la integridad del líquido. Si se rompe el sello del sistema, puede contaminarse el líquido.
- 2) Luego de dispensar líquido de escape diesel (DEF, por sus siglas en inglés), asegúrese de drenar todo el líquido de la boquilla, fijándose que apunte hacia abajo al estar en la envoltura de la boquilla. El DEF que quede en la punta de la boquilla y que esté expuesto al aire se cristaliza y puede taponar la boquilla.
- 3) **NO** deje la boquilla dispensadora en el suelo ni en ninguna superficie que pueda contaminar la punta de la boquilla, ya que puede comprometer la pureza del DEF.
- 4) Las rosas de entrada y de salida son tipo BSPP y no requieren un sellador especial.
- 5) Los tanques de almacenamiento deben estar correctamente anclados para evitar su desplazamiento o volcamiento cuando estén llenos o vacíos.
- 6) El motor de la bomba está equipado con protección de sobrecarga térmica; si se sobrecalienta, el motor se apagará para evitar daños al devanado. Si esto sucede, **¡APAGUE LA BOMBA!** Cuando el motor se enfríe, se reiniciará sin advertir si la energía está encendida.



¡ADVERTENCIA! Esta bomba no se debe utilizar con líquidos con un punto de inflamación menor que 37,8° C (100° F), como: gasolina y alcohol. Consulte la norma NFPA 325M (Propiedades de los líquidos inflamables, gases y sólidos volátiles en caso de incendio) para conocer los puntos de inflamación de los líquidos comunes. La acumulación y descarga de electricidad estática pueden generar un arco y una explosión.



¡ADVERTENCIA! NO utilice la bomba con líquidos hechos para el consumo humano.

Sobre el líquido de escape diesel (DEF)

La bomba de DEF de Fill-Rite está diseñada para bombear solución acuosa de urea al 32,5% (AUS32, por sus siglas en inglés), mejor conocida como líquido de escape diesel o "DEF", por sus siglas en inglés.

AUS32 se utiliza en motores diesel modernos que cuentan con un sistema de reducción catalítica selectiva (SCR, por sus siglas en inglés). El DEF nunca entra en contacto con el combustible: la idea errónea común es que esto es un aditivo. El DEF se transporta en el vehículo, en su propio tanque de almacenamiento. Se inyecta en los gases de escape como un proceso poscombustión, mediante una SCR, en donde descompone las peligrosas emisiones de óxido de nitrógeno (NOx) principalmente en nitrógeno y oxígeno.

Debido a que la pureza específica de la solución AUS32 es fundamental para la reacción catalítica, la bomba de DEF de Fill-Rite está diseñada para mantener la integridad usando componentes fabricados de materiales que no contaminen ni alteren la estructura química de las soluciones.



¡IMPORTANTE! Luego del montaje y la instalación iniciales, purgue todo el sistema de dispensación bombeando de 20 a 40 litros (5 a 10 galones de EE.UU.) de DEF a través de éste. Esto purga el sistema de aire y asegura que se elimine cualquier impureza que pueda haber en el sistema. Deseche el DEF usado para purgar el sistema con procedimientos de manejo de DEF aprobados. No devuelva el líquido al cilindro o totalizador ni lo use en un vehículo.

Instalación

La bomba de DEF está diseñada para ofrecer una variedad de posibilidades de montaje, como una estación de bombeo de tambor y una estación de bombeo de transferencia. Además posee una válvula de derivación integral para ayudar a minimizar el desgaste cuando la bomba funciona con la boquilla cerrada.



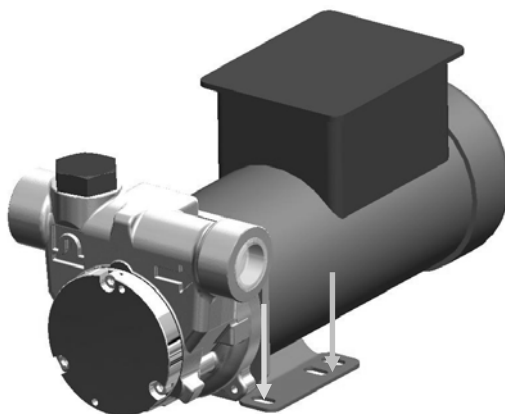
¡PRECAUCIÓN! Las juntas de tuberías roscadas y las conexiones se deben sellar con un sellador adecuado o cinta selladora para minimizar la posibilidad de filtraciones del líquido bombeado.

Sólo bomba

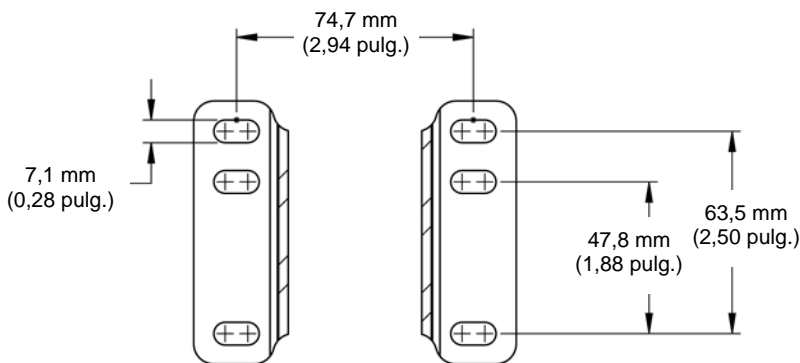


¡PRECAUCIÓN! NO monte la bomba de una manera o en una ubicación en donde quede sobre agua estancada o corriente.

La bomba de DEF está diseñada para usarse todo el año en interiores y exteriores. La bomba se debe apernar de manera segura a una superficie sólida y fija con al menos 4 pernos.



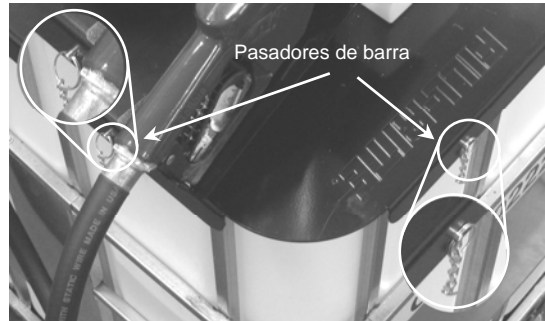
La bomba de DEF se puede instalar de manera horizontal o vertical, lo que permite una variedad de opciones de montaje.



Configuración de los orificios de montaje de la base de la bomba

Bomba con montaje de transferencia

Para lograr un intercambio fácil y conveniente, Fill-Rite ofrece un paquete de montaje de transferencia que proporciona una plataforma de dispensación sólida y fácil de usar para las necesidades de su DEF, permitiendo movimientos rápidos y sencillos de un tanque de totalizador al siguiente.



El paquete de montaje de transferencia incluye una bomba de DEF, un medidor digital, tubos flexibles, boquillas, una plataforma de montaje y un retractor del soporte de tubos flexibles. El montaje de transferencia está diseñado para ajustarse perfectamente en el marco superior de los tanques de transferencia y se engancha en su posición con dos pasadores de inmovilización que se conectan al marco del tanque de transferencia (Figura 3).

Luego de la instalación, utilice la perilla manual de la parte trasera de la plataforma de montaje para apretar el montaje firmemente en los rieles de transferencia (las instrucciones de montaje se incluyen con el juego de montaje de transferencia).

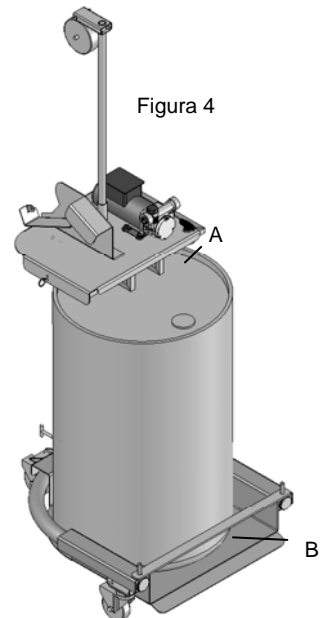
Opción de montaje en tambor

Fill-Rite ofrece un paquete de montaje en tambor que funciona junto con el montaje de transferencia para proporcionar capacidades de bombeo desde barriles y tambores. Este paquete proporciona una plataforma estable y segura para el montaje de transferencia, colocándolo sobre el recipiente para lograr una mayor conveniencia y eficacia (Figura 4).

El montaje de transferencia se ajusta en la parte superior del montaje en tambor, fijándose al marco como lo hace un tanque de transferencia. Engánchelo de manera segura con los pasadores de barra (como en la Figura 3 anterior) y utilice la perilla de la parte trasera (elemento A) para apretar la plataforma en el montaje en tambor.

El montaje en tambor cuenta con una placa base que puede albergar un tambor de hasta 208 litros (55 galones de EE.UU.) en la base, lo que permite que se mueva libremente con toda la unidad. Levante la barra de bloqueo (elemento B) de las columnas de posición y deslice el tambor en su posición. Vuelva a instalar la barra. Conecte el tubo flexible de succión (no se incluye) con el adaptador del tambor (no se incluye). Asegúrese de que la conexión esté sellada para garantizar un consumo adecuado de líquido y para mantener la integridad del DEF.

Figura 4



Cableado eléctrico

Procedimiento de cableado



¡ADVERTENCIA! El cableado eléctrico **SÓLO** debe realizarlo un electricista con licencia que cumpla los códigos de electricidad locales, estatales y nacionales NEC/ANSI/NFPA 70, NFPA30 y NFPA 30A, según corresponda para el uso que se le dará a la bomba. Se deben utilizar conductos rígidos roscados, conectores sellados y sellos de conductor. La bomba debe estar debidamente conectada a tierra. ¡La instalación o el uso incorrectos de esta bomba pueden provocar lesiones físicas graves o la muerte!



¡PRECAUCIÓN! Todas las bombas se deben operar según el voltaje especificado en la placa de identificación. Se debe suministrar energía a la bomba desde un disyuntor de circuito de 20 amperios. Este circuito no debe alimentar a ningún otro equipo. Los cables deben tener el calibre suficiente para transportar la corriente adecuada para la bomba. La caída de voltaje variará con la distancia a la bomba y el calibre del cable. Consulte National Electrical Code (NEC) o los códigos locales para obtener información sobre la compensación de caídas de voltaje y asegurarse de que está utilizando un cableado del calibre correcto para su aplicación.

Tomacorriente de CA

Las bombas de CA cuentan con un enchufe conectado a tierra convencional de 110 V CA de 3 espigas. Esta bomba se puede conectar a cualquier tomacorriente conectado a tierra convencional. El circuito del tomacorriente se debe proteger con un disyuntor de circuito de 20 amperios.



¡ADVERTENCIA! ¡ESTE PRODUCTO SE DEBE CONECTAR A TIERRA! NO rechace la espiga de conexión a tierra del enchufe al usar un adaptador ni al modificar el enchufe de otra manera. **NO** conecte este artefacto en un tomacorriente sin conexión a tierra.

Cableado de CC

Las bombas de CC se conectan a la fuente de alimentación mediante el cable de alimentación. El cable de alimentación termina en abrazaderas de mandíbulas color rojo y negro; conecte la abrazadera roja al borne positivo de la fuente de alimentación de CC y la abrazadera negra al borne negativo.

Instrucciones de operación

1. Si está equipado, restablezca el medidor a "0" (no lo restablezca mientras esté en uso, ya que puede provocarle daños al medidor).
2. Retire la boquilla de dispensación de la envoltura de la boquilla.
3. Mueva la palanca del interruptor a la posición "ON" (Encendido) para impulsar la bomba.
4. Inserte la boquilla de dispensación en el recipiente que se llenará.
5. Opere la boquilla para dispensar el líquido; suelte la boquilla cuando haya dispensado la cantidad deseada de líquido.
6. Mueva la palanca del interruptor a la posición "OFF" (Apagado) para apagar la bomba.
7. Retire la boquilla de dispensación del recipiente y almacénela en la envoltura de la boquilla.



¡PRECAUCIÓN! Mantenga siempre la boquilla en contacto con el recipiente que se esté llenando **durante el proceso de llenado** para minimizar la posibilidad de acumulación de electricidad estática o descarga eléctrica.

Solución de problemas

La siguiente guía de “Solución de problemas” ofrece asistencia de diagnóstico básico en caso de que enfrente un servicio anormal por parte de su producto Tuthill.



¡ADVERTENCIA! No abra ni intente reparar el motor de su bomba Tuthill. Devuélvalo al lugar de compra para realizar servicio técnico. Al abrir la carcasa del motor se puede poner en peligro la integridad de la fabricación a prueba de explosión (si cuenta con un motor a prueba de explosión) y anulará cualquier garantía y certificación existente (lista UL).



¡ADVERTENCIA! Asegúrese de que la bomba no reciba ningún tipo alimentación eléctrica antes de realizar cualquier servicio técnico o mantenimiento.



¡IMPORTANTE! Al realizar diagnóstico y reparaciones a una bomba DEF, es muy importante que realice los pasos necesarios para garantizar la pureza del líquido DEF.

- 1) Es fundamental mantener la pureza de la AUS32 (solución acuosa de urea 32,5%)/DEF, por lo tanto, es imprescindible que una vez que se monte el sistema, éste permanezca sellado para garantizar la integridad del líquido. **Si se rompe el sello del sistema, se puede contaminar el líquido.**
- 2) Luego de dispensar líquido de escape diesel (DEF), asegúrese de drenar todo el líquido de la boquilla, asegurándose de que apunte hacia abajo al estar en la envoltura de la boquilla. El DEF que quede en la punta de la boquilla y que esté expuesto al aire se cristaliza y puede tapan la boquilla.
- 3) **NO** deje la boquilla dispensadora en el suelo ni en ninguna superficie que pueda contaminar la punta de la boquilla, ya que puede comprometer la pureza del DEF.
- 4) Las roscas estándar de la bomba DEF son tipo BSPP y no requieren ningún sellador especial. Si adquirió su bomba por un pedido especial con roscas NPT, use el sellador adecuado para el líquido que bombee.
- 5) Use guantes de látex nuevos y trabaje en un ambiente lo más limpio y libre de polvo posible para reducir el riesgo de contaminantes presentes en el aire que puedan entrar en la bomba DEF, en los tubos flexibles y en el recipiente.
- 6) Para minimizar la cantidad de líquido que vuelve al tanque de almacenamiento antes del servicio, **apague la bomba** y abra la boquilla en un recipiente para drenar el líquido del tubo flexible. Tire el tubo flexible hacia abajo para maximizar la cantidad de líquido drenado del sistema. Cierre la boquilla una vez que el flujo se haya detenido.
- 7) El DEF se cristaliza al estar expuesto al aire, por lo tanto, lo óptimo es minimizar el tiempo en que los componentes húmedos del DEF en el sistema de descarga (bomba, tubos flexibles, medidor y boquilla) estén abiertos.
- 8) Luego de haber terminado las reparaciones y haber vuelto a ensamblar el sistema, purgue todo el sistema de dispensación bombeando de 20 a 40 litros (5 a 10 galones de EE.UU.) de DEF a través de éste. Esto purga el sistema de aire y garantiza que se elimine cualquier impureza que pueda haber ingresado al sistema. Deseche el DEF usado para purgar el sistema con procedimientos de manejo de DEF aprobados. No devuelva el líquido al cilindro o al recipiente de transferencia ni lo use en un vehículo. **Cualquier reparación que implique abrir el sistema requerirá este procedimiento.**

Síntoma	Causa	Solución
La bomba no ceba.	1. Problema de la tubería de succión.	Verifique si hay filtraciones en la tubería de succión.
	2. Válvula de derivación abierta.	Retire y revise la válvula; ésta se debe mover libremente y no debe tener residuos.
	3. Bloqueo de las aspas.	Verifique si hay muescas, rebabas y desgaste en las aspas y ranuras.*
	5. Desgaste excesivo del rotor o del aspa.	Inspeccione si hay daño o desgaste excesivo en el rotor y las aspas; reemplace de ser necesario.*
	6. Salida bloqueada.	Verifique si hay bloqueos en la salida de la bomba, el tubo flexible, la boquilla y el filtro.
	7. Bloqueo de vapor.	Reduzca la distancia vertical y horizontal desde la bomba al líquido; retire la boquilla automática.
	Capacidad baja.	1. Suciedad excesiva en la rejilla.
2. Problema de la tubería de succión.		Verifique si hay filtraciones o restricciones en la tubería de succión; puede ser muy pequeña, muy larga o no es hermética.
3. Bloqueo de la válvula de derivación.		Retire y revise la válvula; ésta se debe mover libremente y no debe tener residuos.
4. Bloqueo de las aspas.		Verifique su desgaste en las aspas y ranuras.
5. Desgaste excesivo del rotor o del aspa.		Inspeccione si hay daño o desgaste excesivo en el rotor y las aspas; reemplace de ser necesario.*
6. Daño en el tubo flexible o la boquilla.		Reemplace el tubo flexible o la boquilla.
La bomba funciona lento.	1. Voltaje incorrecto.	Verifique el voltaje de línea de entrada mientras la bomba esté funcionando.
	2. Bloqueo de las aspas.	Inspeccione si hay muescas, rebabas y desgaste en las aspas y ranuras.*
	3. Problema de cableado.	Verifique si hay conexiones sueltas.
	4. Problema del motor.	Regrese al lugar de compra.
El motor se detiene.	1. Bloqueo de la válvula de derivación.	Retire y revise la válvula; ésta se debe mover libremente y no debe tener residuos.
	2. Voltaje bajo.	Verifique el voltaje de línea de entrada mientras esté funcionando la bomba.
	3. Desgaste excesivo del rotor o del aspa.	Verifique si hay daño o desgaste excesivo en el rotor y las aspas.
	4. Residuos en la cavidad de la bomba.	Elimine los residuos de la cavidad de la bomba.
	2. Rejilla obstruida.	Retire y limpie la rejilla.
	3. Tubería de succión restringida.	Retire y limpie la tubería.
	4. Falla del motor.	Regrese al lugar de compra.
	5. Cierre del rotor de la bomba.	Limpie y verifique las aspas y el rotor de la bomba.
El motor no está operativo.	1. No hay energía.	Verifique la energía de entrada.
	2. Falla del interruptor.	Regrese al lugar de compra.
	3. Falla del motor.	Regrese al lugar de compra.
	4. Cableado suelto o incorrecto.	Verifique el cableado.
Filtración de líquido.	5. Empaquetadura de junta tórica defectuosa.	Verifique las empaquetaduras de la junta tórica.
	6. Sello del eje sucio.	Limpie el sello y la cavidad del sello.
	7. Sello del eje defectuoso.	Reemplace el sello.
	8. Líquido incompatible.	Envíe la lista de piezas húmedas al productor de líquidos.
	9. Sujetadores sueltos.	Apriete los sujetadores.
La bomba emite un zumbido pero no funciona.	10. Falla del motor.	Regrese al lugar de compra.
	11. Llave rota.	Retire los residuos y reemplace la llave.
	12. Aspas del rotor bloqueadas en los cristales de DEF.	*Consulte la explicación detallada en la página 9.

***INFORMACIÓN IMPORTANTE SOBRE LOS ROTORES “BLOQUEADOS CON CRISTALES” DEL DEF:** El DEF se cristaliza prácticamente de inmediato al entrar en contacto con el aire, si el aire llega al DEF en la cavidad del rotor, puede cristalizar el DEF y bloquear el rotor en su lugar. Si ocurre esto, el siguiente procedimiento eliminará los cristales de las aspas y la bomba volverá a funcionar:

- 1) Retire la cubierta del filtro.
- 2) Vierta agua desionizada en la abertura del filtro, los cristales de DEF se disolverán de manera instantánea.
- 3) Vuelva a instalar la cubierta del filtro y apriete a 6 Nm (50 lb-pulg.)
- 4) Bombeo 20 a 40 litros (5 a 10 galones) de DEF a través del sistema para purgar el agua de la bomba.

El **texto en negritas** indica reparaciones que no puede realizar el propietario, se debe regresar la bomba al punto de compra para realizar las reparaciones.

Si tiene cualquier duda en cuanto a la instalación, la operación o el mantenimiento de su producto, comuníquese con nuestro Departamento de Servicio al Cliente en el 1-800-634-2695 (lunes a viernes de 8 AM a 5 PM, hora del este). También puede encontrarnos en nuestro sitio Web “www.tuthill.com”.



¡ADVERTENCIA! No abra ni intente reparar el motor de su bomba Tuthill. Devuélvalo al lugar de compra para realizar servicio técnico. Al abrir la carcasa del motor se puede poner en peligro la integridad de la fabricación a prueba de explosión (si cuenta con un motor a prueba de explosión) y anulará cualquier garantía y certificación existente (lista UL).

Accesorios

Existe una gran variedad de accesorios disponibles para ayudarle a maximizar el rendimiento de su bomba Tuthill/Fill-Rite. En la siguiente lista se encuentran los accesorios correspondientes disponibles para su producto en particular. Comuníquese con su distribuidor Tuthill/Fill-Rite autorizado para adquirir los accesorios que necesite.

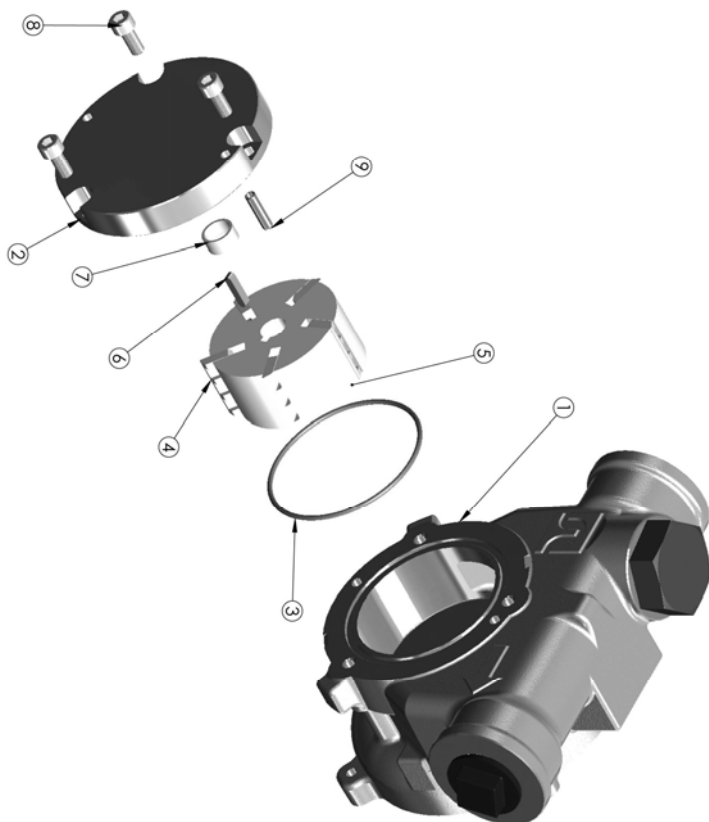
Número de pieza	Descripción	Contenidos
FRSA120801MATU	Juego de transferencia	Bomba de DEF de 115 V CA, plataforma, biela y retractor de tubo flexible, medidor digital, boquilla automática, 30 LPM (8 GPM).
FRSA140801MATU	Juego de transferencia	Bomba de DEF de 115 V CA, plataforma, biela y retractor de tubo flexible, medidor digital, boquilla automática, 30 LPM (8 GPM).
FRSD120801MATU	Juego de transferencia	Bomba de DEF de 12 V CC, plataforma, biela y retractor de tubo flexible, medidor digital, boquilla automática, 30 LPM (8 GPM).
FRXSA120801MATU	Juego de transferencia	Bomba de DEF a prueba de explosión de 115 V CA, plataforma, biela y retractor de tubo flexible, medidor digital, boquilla automática, 30 LPM (8 GPM).
FRXSA140801MATU	Juego de transferencia	Bomba de DEF a prueba de explosión de 115 V CA, plataforma, biela y retractor de tubo flexible, medidor digital, boquilla automática, 30 LPM (8 GPM).
KITFR55DU	Juego de tambor	Base de rodillo
		Plataforma
		Barra de bloqueo del tambor
825D075BSPP	Medidor digital	Medidor digital Sotera serie 825
075UMN11	Boquilla de 1,9 cm (¾ pulg.)	Boquilla manual de 1,9 cm (¾ pulg.)
FRH7514	Tubo flexible de 4 m x 1,9 cm (14 pies x ¾ pulg.)	Tubo flexible de 4 m x 1,9 cm (14 pies x ¾ pulg.) con cableado estático

Piezas de repuesto

El mantenimiento y la reparación adecuados ayudarán a mantener su producto Fill-Rite en funcionamiento por mucho tiempo. Las siguientes piezas se encuentran disponibles en caso de ser necesarias y se pueden obtener a través de su distribuidor de Fill-Rite. Para las aplicaciones de DEF, el mantenimiento de la pureza del líquido es primordial, así que lo instamos a utilizar sólo piezas Fill-Rite originales cada vez que su bomba necesite mantenimiento para conservar la integridad de su fabricación y del DEF.

Nº de juego	Descripción	Contenidos
KITFR32V	Juego de rotor de bomba de DEF	Nº 1. Alojamiento de la bomba (no se incluye en el juego)
		Nº 2. Cubierta del rotor
		Nº 3. Sello de junta tórica
		Nº 4. Áspas del rotor
		Nº 5. Rotor
		Nº 6. Llave del rotor
		Nº 7. Cojinete liso
		Nº 8. Pieza metálica de sujeción
		Nº 9. Pasador posicionador

Conjunto del rotor de bomba DEF



Garantía de productos Tuthill

Tuthill Transfer Systems (en adelante el “Fabricante”) garantiza a cada comprador consumidor de sus productos Fill-Rite (en adelante el “Comprador”), a partir de la fecha de la factura o comprobante venta, que los bienes fabricados por la empresa (en adelante los “Bienes”) no presentarán defectos de material ni de fabricación. La duración de la garantía es la siguiente:

- Productos para servicio pesado: dos años
- Productos para servicio estándar: un año
- Productos para servicio económico: un año
- Bombas de gabinete, piezas y accesorios: un año

La obligación exclusiva del Fabricante, de acuerdo con las garantías anteriores, se limitará, según la opción del Fabricante, a la reparación o reemplazo de los Bienes defectuosos, (sujeto a las limitaciones que se indican más adelante) o al reembolso del valor de la compra de tales Bienes pagados hasta entonces por el Comprador. El único recurso de los Compradores por el incumplimiento de cualquiera de estas garantías será el cumplimiento de tales obligaciones del Fabricante. Si el Fabricante solicita la devolución de tales Bienes, éstos se le reenviarán de acuerdo con las instrucciones de franco a bordo de la fábrica del Fabricante. Los recursos que se indican en este documento constituirán el recurso exclusivo del Comprador contra el Fabricante por el incumplimiento de la garantía. **EN NINGÚN CASO LA RESPONSABILIDAD DEL FABRICANTE POR CUALQUIER RECLAMO POR DAÑOS QUE SURJAN DE LA FABRICACIÓN, VENTA, ENTREGA O USO DE LOS BIENES EXCEDERÁ EL VALOR DE LA COMPRA.** Las garantías anteriores no se extenderán a bienes sujetos a uso indebido, negligencia, accidente, mantenimiento o instalación incorrecta, o que hayan sido reparados por alguien que no sea el Fabricante o sus representantes autorizados. **LAS GARANTÍAS ANTERIORES SON EXCLUSIVAS Y REEMPLAZAN TODA OTRA GARANTÍA DE COMERCIABILIDAD, IDONEIDAD PARA UN PROPÓSITO DE CUALQUIER OTRO TIPO, YA SEA EXPRESO O IMPLÍCITO.** Ninguna persona podrá variar las garantías anteriores o recursos, excepto por escrito y firmado por un trabajador debidamente autorizado por el Fabricante. La aceptación de la entrega de los Bienes al Comprador constituye la aceptación de los recursos y las garantías anteriores, al igual que todas las condiciones y limitaciones del presente documento.

Número de modelo		Código de barras UPC	
Fecha de fabricación		Número de serie	

Información técnica y especificaciones

Características y especificaciones de la bomba de DEF y el motor

- Entrada: ¾ pulg. o 1 pulg. BSPP o NPT (¾ pulg. BSPP estándar)
- Salida: ¾ pulg. o 1 pulg. BSPP o NPT (¾ pulg. BSPP estándar)
- Alojamiento de acero inoxidable, resorte de desvío, filtro y eje del motor.
- Rotor, áspas, sellos y otras piezas no metálicas hechas de copolímero aprobado
- Filtro de fácil acceso
- Válvula de derivación automática
- Motor de servicio continuo de ½ HP o ¼ HP CA con arranque con condensador
- Motor de servicio continuo de ½ HP CC
- CA, CA a prueba de explosión de 115, 115/230 V CA – 60 Hz/1Ø
- CC, o CC a prueba de explosión de 12 V CC, 12/24 V CC
- Protección de sobrecarga térmica e interruptor para servicios pesados

Funcionamiento de la bomba de DEF y el motor

- Presión: configuración de la válvula de derivación de 2,07 barías (30 PSI)
- 26,5 a 72 LPM (7 a 19 GPM)
- TDH = 19,5 metros (64 pies) en la capacidad de la válvula de derivación
- Temperatura de operación: -15° C a 49° C (5° a 120° F)

Dimensiones generales:

Bomba de DEF de CA: 35,94 cm de ancho x 30,04 cm de alto x 29,21 cm de profundidad (14,15 x 11,825 x 11,5 pulg.).

Bomba de DEF de CC: 35,94 cm de ancho x 42,16 cm de alto x 29,65 cm de profundidad (14,15 x 16,6 x 11,675 pulg.).

Juego de transferencia: 38,74 cm de ancho x 40,89 cm de alto x 35,81 cm de profundidad (15,25 x 16,1 x 14,1 pulg.).

Juego de tambor de 208 litros (55 galones):

Peso de envío:

Bomba de DEF de CA: 11 kg (25 lb)

Bomba de DEF de CC: 11 kg (25 lb)

Juego de transferencia: 19 kg (42 lb)

Juego de tambor de 189,3 litros (55 galones): 34 kg (75 lb)

Accesorios:

➤ Consulte la página 9 para ver una lista completa de accesorios disponibles.

Compatibilidad de líquidos

Líquido de escape diesel (solución acuosa de urea al 32,5%) Combustible diesel Biodiesel (hasta B20) Gasolina Keroseno Alcoholes minerales Solvente Stoddard Heptano



¡IMPORTANTE! Si tiene dudas sobre la compatibilidad de líquidos específicos, comuníquese con el proveedor del líquido para verificar cualquier reacción adversa con los siguientes materiales húmedos:

Acero inoxidable

Fluorocarburo

Polipropileno

Polioximetileno

Aprobaciones de pruebas de seguridad

La línea de bombas **Fill-Rite** ha pasado pruebas de seguridad para cumplir los estándares establecidos por Underwriters Laboratories (UL). Los certificados de cumplimiento se obtuvieron en los laboratorios UL.



Las siguientes agencias obtuvieron certificados de cumplimiento con la seguridad para productos vendidos fuera de EE.UU. y Canadá. Consulte la etiqueta en su producto para ver los datos particulares de cumplimiento.



Normas CENELEC



Manuel d'installation, d'utilisation et de sécurité

FILL-RITE.

Pompe à FED

Pompe de transfert de fluides
d'échappement diesel

115 V c.a. / 12 V c.c.

Table des matières

Table des matières	2
Merci!	2
À propos de ce manuel	2
Informations sur la sécurité	3
À propos des fluides d'échappement diesel (FED)	3
Installation	4
Pompe seulement.....	4
Ensemble de pompage pour cuve sur palette	5
Option de montage sur fût	5
Procédure de câblage	6
Prise de courant secteur	6
Câblage basse tension	6
Mode d'emploi	6
Dépannage	7
Accessoires	9
Caractéristiques et informations techniques	11
Liquides compatibles	12
Homologations de sécurité.....	12

Merci!

Nous vous remercions d'avoir acheté cette pompe à fluides d'échappement diesel! Votre produit Fill-Rite bénéficie de plus de 80 années d'expérience dans la fabrication de pompes, vous offrant les avantages liés à des performances supérieures, une conception fonctionnelle, une longue durée de service et une ingénierie simple et solide. Une expérience qui vous permet d'avoir l'esprit tranquille.

Ayez confiance – C'est une Tuthill!

À propos de ce manuel

Du concept initial jusqu'à la fabrication finale, votre pompe Fill-Rite est construite pour vous offrir des années d'utilisation sans problème. Pour assurer ces résultats, **il est impératif que vous lisiez entièrement ce manuel avant de tenter d'installer ou de faire fonctionner votre nouvelle pompe.** Familiarisez-vous avec les termes utilisés et les schémas et accordez une attention particulière aux sections mises en évidence comme suit :



AVERTISSEMENT! Souligne un domaine dans lequel une blessure voire la mort peuvent résulter si les instructions ne sont suivies correctement. Des dommages mécaniques peuvent également se produire.



IMPORTANT! Ces encadrés contiennent des informations illustrant un point susceptible de faire gagner du temps ou est essentiel au bon fonctionnement, ou précise une étape.



ATTENTION! Une mise en garde qui doit être observée pour écarter les risques de dommages au matériel.

Chez Fill-Rite, votre satisfaction vis-à-vis de nos produits est primordiale pour nous. Si vous avez des questions ou vous avez besoin d'aide avec votre produit, veuillez communiquer avec nous au 1-800-634-2695 (lun-ven, 8h00-17h00 HNE).

Informations sur la sécurité



AVERTISSEMENT! Pour assurer la sécurité et le bon fonctionnement du matériel, il est essentiel de lire et de respecter toutes les mises en garde et précautions suivantes. Une installation ou une utilisation incorrecte de ce produit peut entraîner des blessures corporelles graves ou la mort!

- 1) Le maintien de la pureté de l'AUS32 (solution d'urée aqueuse à 32,5 %) est essentiel ; c'est pourquoi il est impératif de préserver l'étanchéité du système une fois assemblé afin d'assurer l'intégrité de ce liquide. La rupture de l'étanchéité du système peut provoquer une contamination du liquide.
- 2) Après le transfert de FED, veiller à bien vidanger tout le liquide du pistolet, en s'assurant qu'il pointe vers le bas lorsqu'il est rangé dans son logement. Le FED restant dans l'embout du pistolet et exposé à l'air peut cristalliser et obstruer le pistolet.
- 3) **NE PAS** poser le pistolet sur le sol ou sur une quelconque surface susceptible de contaminer son embout et de porter atteinte à la pureté du FED.
- 4) Les filetages d'admission et de refoulement sont de type BSPP et ne nécessitent aucun produit d'étanchéité particulier.
- 5) Les réservoirs de stockage doivent être solidement ancrés afin d'empêcher tout déplacement ou basculement lorsqu'ils sont vides ou pleins.
- 6) Le moteur de la pompe est équipé d'une protection contre la surcharge thermique ; en cas de surchauffe, le moteur s'éteint pour éviter d'endommager les bobinages. Si cela se produit, **ARRÊTER LA POMPE!** Une fois que le moteur a refroidi, il redémarre sans avertissement s'il est sous tension.



AVERTISSEMENT! Cette pompe ne doit pas être utilisée avec des liquides ayant un point d'éclair inférieur à 37,8 °C (100 °F, essence, alcool, par ex.). Voir les points d'éclair des liquides courants dans NFPA 325M (Comportement au feu de liquides, gaz et solides volatils inflammables). L'accumulation et la décharge d'électricité statique peut provoquer une étincelle et une explosion.



AVERTISSEMENT! NE PAS utiliser la pompe avec des liquides destinés à l'alimentation humaine.

À propos des fluides d'échappement diesel (FED)

La pompe à FED Fill-Rite est conçue pour pomper de l'AUS32 (solution d'urée aqueuse à 32,5 %), plus connue sous le nom de fluide d'échappement diesel, ou « FED ».

L'AUS32 est utilisé dans les moteurs diesel modernes équipés d'un système de réduction catalytique sélective, ou SCR (Selective Catalytic Reduction). Le FED ne vient jamais au contact avec le carburant ; l'idée fautive la plus courante est qu'il s'agit d'un additif. Le FED est transporté à bord du véhicule dans son propre réservoir. Il est injecté dans les gaz d'échappement dans le cadre d'un processus post-combustion dans un SCR, où il décompose les émissions nocives de NOx (oxyde nitreux) essentiellement en azote et en oxygène.

Comme la pureté particulière de la solution d'AUS32 est essentielle à la bonne réaction catalytique, la pompe à FED Fill-Rite est conçue pour préserver son intégrité par l'emploi de pièces fabriquées dans des matériaux qui ne perturbent ou n'altèrent pas la structure chimique de la solution.



IMPORTANT! Après l'assemblage initial et l'installation, rincer le système de distribution entier en pompant 20 à 40 litres (5 à 10 gallons) de FED à travers. Cela purge l'air du circuit et assure l'élimination de toutes les impuretés éventuellement présentes. Éliminer le FED utilisé pour purger le système suivant des méthodes de maintenance de FED agréées ; ne pas renvoyer le liquide dans le fût ou la cuve sur palette ni l'utiliser dans un véhicule.

Installation

La pompe à FED est conçue pour offrir une variété d'options de montage, notamment en tant que station de pompage pour fût et de station de pompage pour cuve sur palette. Elle comporte également une soupape de dérivation afin de minimiser l'usure lorsque la pompe fonctionne avec le pistolet de distribution fermé.



ATTENTION! Les joints et raccords de tuyau filetés doivent être scellés avec une pâte ou un ruban d'étanchéité approprié pour le liquide à pomper afin de minimiser les risques de fuite.

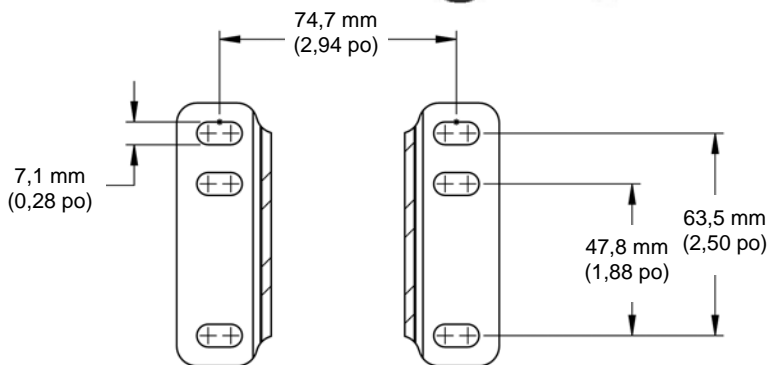
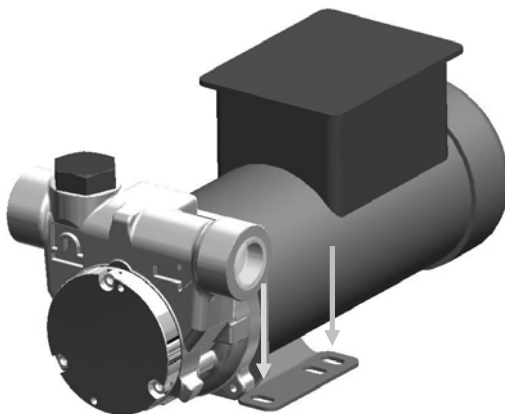
Pompe seulement



ATTENTION! NE PAS monter la pompe à en emplacement ou d'une façon tels qu'elle peut se trouver dans de l'eau stagnante ou courante.

La pompe à FED est conçue pour une utilisation à l'intérieur ou à l'extérieur pendant toute l'année. La pompe doit être solidement boulonnée à une surface fixe et solide avec 4 boulons au minimum.

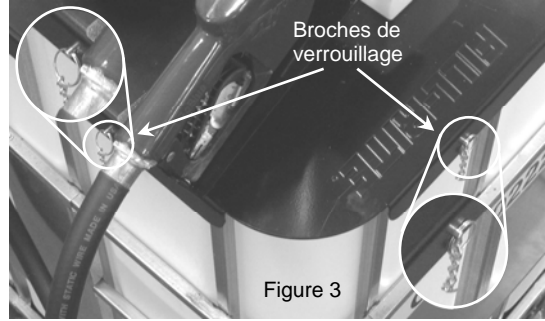
La pompe à FED peut être montée horizontalement ou verticalement, ce qui offre une variété d'options de pose.



Configuration des trous de fixation du socle de pompe

Ensemble de pompage pour cuve sur palette

Pour faciliter l'utilisation et les changements, Fill-Rite propose un ensemble de pompage pour cuve sur palette qui offre une plateforme de distribution slide et facile à utiliser pour les besoins en FED et permet des passages simples et rapides d'une cuve sur palette à une autre.



L'ensemble de pompage pour cuve sur palette comprend une pompe à FED, un compteur numérique, les tuyaux, le pistolet, la plateforme de fixation et le support de tuyau à rétracteur. L'ensemble pour cuve sur palette est conçu pour bien épouser l'armature supérieure de la majorité des cuves sur palette et il se bloque en place au moyen de deux broches de verrouillage qui s'engagent sur l'armature de la cuve (Figure 3).

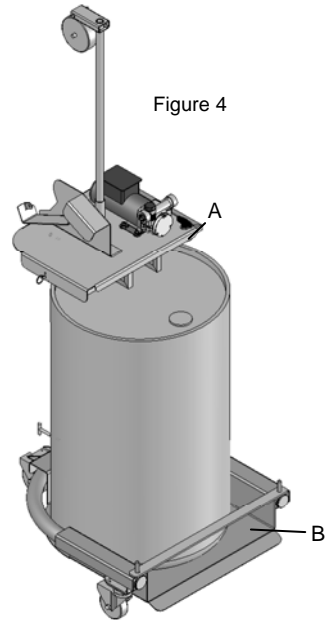
Une fois installé, utiliser le bouton de l'arrière du plateau pour serrer fermement le support contre les rails de la cuve (des instructions d'assemblage sont fournies avec le nécessaire de pompage).

Option de montage sur fût

Fill-Rite propose un support pour fût en option, qui s'utilise en association avec l'ensemble pour cuve sur palette pour permettre le pompage depuis des fûts et barils. Ce support constitue une plateforme sûre et stable pour l'ensemble de pompage et le place de façon pratique et efficace au-dessus du fût (Figure 4).

L'ensemble pour cuve sur palette se pose sur le dessus du support pour fût, s'attachant au bâti de la même manière que sur la cuve sur palette. Le verrouiller fermement en place à l'aide des broches de verrouillage (comme sur la Figure 3 ci-dessus), et utiliser le bouton à l'arrière (repère A) pour serrer le plateau sur le support pour fût.

Le support pour fût comporte un socle qui accepte des fûts jusqu'à 208 litres (55 gallons) et permet de déplacer l'ensemble librement. Soulever la barre de verrouillage (repère B) hors des tenons de positionnement et glisser le fût en place. Remettre la barre en place. Raccorder le tuyau d'aspiration (non fourni) au raccord de fût (non fourni). Vérifier que le branchement est étanche afin d'assurer un tirage correct du liquide et préserver l'intégrité du FED.



Câblage électrique

Procédure de câblage



AVERTISSEMENT! Le câblage électrique doit être exécuté **UNIQUEMENT** par un électricien qualifié en conformité avec le code de l'électricité en vigueur, NEC/ANSI/NFPA-70, NFPA 30 et NFPA 30A, comme il se doit en fonction de l'utilisation prévue de la pompe. Utiliser des conduits rigides filetés, des raccords étanches et du joint pour conducteurs. La pompe doit être correctement reliée à la terre. Une installation ou une utilisation incorrecte de cette pompe peut entraîner de blessures corporelles graves ou la mort!



ATTENTION! La pompe doit être utilisée sous sa tension nominale, indiquée sur la plaque signalétique. L'alimentation doit être fournie à la pompe par l'intermédiaire d'un disjoncteur dédié de 20 A. Aucun autre appareil ne doit être alimenté par ce circuit électrique. Le câblage doit être de section suffisante pour transporter le courant nécessaire à la pompe. La chute de tension varie en fonction de la distance à la pompe et de la section du câble ; voir les compensations de chute de tension dans le Code national de l'électricité (CNE) ou dans les codes locaux et vérifier que le câble utilisé est de section correcte pour l'application.

Prise de courant secteur

Les pompes à courant alternatif sont équipées d'une fiche 110 V traditionnelle à trois broches avec terre. Ces pompes peuvent se brancher sur toute prise de courant avec terre normale. Le circuit de la prise doit être protégé par un disjoncteur de 20 A.



AVERTISSEMENT! CE PRODUIT DOIT ÊTRE RELIÉ À LA TERRE! NE PAS rendre la broche de terre inopérante par l'emploi d'un adaptateur ou par une quelconque modification de la fiche. **NE PAS** brancher cet appareil sur une prise de courant non reliée à la terre.

Câblage basse tension

Les pompes à courant continu se raccordent à la source de courant au moyen du cordon d'alimentation. Le cordon d'alimentation est terminé par des pinces crocodiles rouge et noire ; raccorder la pince rouge à la borne d'alimentation continue positive et la pince noire à la borne négative.

Mode d'emploi

1. Sur les modèles qui en sont équipés, remettre le compteur à « 0 » (ne pas le faire durant la marche car cela peut endommager le compteur).
2. Sortir le pistolet de son logement.
3. Placer l'interrupteur à bascule en position « MARCHE » pour mettre la pompe sous tension.
4. Introduire le pistolet dans le contenant à remplir.
5. Actionner le pistolet pour distribuer le liquide ; relâcher le pistolet lorsque le niveau de liquide souhaité est atteint.
6. Mettre l'interrupteur à bascule en position « ARRÊT » pour couper la pompe.
7. Retirer le pistolet du contenant et le replacer dans son logement.



ATTENTION! Veiller à toujours garder le pistolet au contact du récipient **durant le remplissage** afin de minimiser le risque d'accumulation ou de décharge d'électricité statique.

Dépannage

Le guide de dépannage qui suit a pour objet d'offrir un diagnostic de base dans l'éventualité d'un fonctionnement anormal de ce produit Tuthill.



AVERTISSEMENT! NE PAS ouvrir ni tenter de réparer le moteur de la pompe Tuthill. La ramener au lieu d'achat pour réparation. L'ouverture du boîtier du moteur peut compromettre l'intégrité de l'assemblage antidéflagrant (sur les modèles équipés d'un moteur antidéflagrant) et a pour effet d'annuler toute garantie et homologation en vigueur (homologation UL).



AVERTISSEMENT! Avant toute réparation ou opération d'entretien, s'assurer que toute alimentation de la pompe a été coupée.



IMPORTANT! Lors des diagnostics et des réparations d'une pompe à FED, il est très important de prendre les mesures nécessaires pour garantir la pureté du FED.

- 1) Le maintien de la pureté de l'AUS32 (solution d'urée aqueuse à 32,5 %)/FED est essentiel ; c'est pourquoi il est impératif de préserver l'étanchéité du système une fois assemblé afin d'assurer l'intégrité de ce liquide. **La rupture de l'étanchéité du système peut provoquer une contamination du liquide.**
- 2) Après le transfert de FED, veiller à bien vidanger tout le liquide du pistolet, en s'assurant qu'il pointe vers le bas lorsqu'il est rangé dans son logement. Le FED restant dans l'embout du pistolet et exposé à l'air peut cristalliser et obstruer le pistolet.
- 3) **NE PAS** poser le pistolet sur le sol ou sur une quelconque surface susceptible de contaminer son embout et de porter atteinte à la pureté du FED.
- 4) Les filetages standard de la pompe à FED sont de type BSPP et ne nécessitent aucun produit d'étanchéité particulier ; si la pompe comporte les filetages NPT en option, utiliser le produit d'étanchéité qui convient pour le liquide à pomper.
- 5) Porter des gants de latex neufs et travailler dans un environnement aussi propre et exempt de poussière que possible afin de réduire le risque de contamination de la pompe à FED, du tuyau et du contenant par des impuretés en suspension dans l'air.
- 6) Pour minimiser la quantité de liquide revenant vers le réservoir de stockage avant l'entretien, **couper la pompe** et ouvrir le pistolet dans un récipient pour vidanger le liquide contenu dans le tuyau. Tirer le tuyau vers le bas pour vidanger une quantité maximale de liquide du système. Lorsque l'écoulement s'arrête, fermer le robinet.
- 7) Le FED cristallise lorsqu'il est exposé à l'air ; par conséquent, il est souhaitable de minimiser la durée pendant laquelle les parties mouillées au FED (pompe, tuyau, compteur et pistolet) sont à l'air libre.
- 8) Une fois que toutes les réparations sont effectuées et que le système est réassemblé, rincer le système de distribution entier en pompant 20 à 40 litres (5 à 10 gallons) de FED à travers. Cela purge l'air du circuit et assure l'élimination de toutes les impuretés éventuellement présentes. Éliminer le FED utilisé pour purger le système suivant des méthodes de manutention de FED agréées ; ne pas renvoyer le liquide dans le fût ou la cuve sur palette ni l'utiliser dans un véhicule. **Cette procédure est requise pour toute réparation nécessitant l'ouverture du système étanche!**

Symptôme	Cause	Remède
La pompe ne s'amorce pas.	1. Problème de conduite d'aspiration.	Vérifier l'étanchéité de la conduite d'aspiration.
	2. Soupape de dérivation ouverte.	Déposer et contrôler la soupape ; elle doit bouger librement et être propre.
	3. Palettes grippées.	Vérifier l'absence d'entailles, d'ébarbure et d'usure des palettes et des rainures.*
	5. Usure excessive du rotor ou des palettes.	Voir si le rotor ou les palettes présentent des dommages ou une usure excessive ; les changer si nécessaire.*
	6. Sortie bloquée.	Voir si le refoulement de la pompe, le tuyau, le pistolet ou le filtre sont obstrués.
	7. Bouchon de vapeur.	Réduire la distance horizontale et verticale entre la pompe et le liquide ; enlever le pistolet automatique.
Capacité insuffisante.	1. Saleté excessive dans le tamis.	Déposer et nettoyer le tamis.
	2. Problème de conduite d'aspiration.	Vérifier l'absence de fuite et de restriction sur la conduite d'aspiration ; celle-ci peut être trop petite, trop longue ou non étanche.
	3. Soupape de dérivation grippée.	Déposer et contrôler la soupape ; elle doit bouger librement et être propre.
	4. Palettes grippées.	Contrôler l'usure des palettes et des rainures.
	5. Usure excessive du rotor ou des palettes.	Voir si le rotor ou les palettes présentent des dommages ou une usure excessive ; les changer si nécessaire.*
	6. Tuyau ou pistolet endommagé.	Changer le tuyau ou le pistolet.
La pompe tourne lentement.	1. Tension incorrecte.	Contrôler la tension du courant d'alimentation alors que la pompe est en marche.
	2. Palettes grippées.	Contrôler l'absence d'entailles, d'ébarbure et d'usure des palettes et des rainures.*
	3. Problème de câblage.	Contrôler le serrage des branchements.
	4. Problème de moteur.	Renvoyer au lieu d'achat.
Le moteur cale.	1. Soupape de dérivation grippée.	Déposer et contrôler la soupape ; elle doit bouger librement et être propre.
	2. Tension insuffisante.	Contrôler la tension du courant d'alimentation alors que la pompe est en marche.
	3. Usure excessive du rotor ou des palettes.	Voir si le rotor ou les palettes présentent des dommages ou une usure excessive.*
	4. Débris dans la cavité de la pompe.	Nettoyer les débris de la cavité de la pompe.
	2. Tamis colmaté.	Déposer et nettoyer le tamis.
	3. Restriction du tuyau d'aspiration.	Déposer et nettoyer le tuyau.
	4. Panne de moteur.	Renvoyer au lieu d'achat.
	5. Blocage du rotor de pompe.	Nettoyer et contrôler le rotor et les palettes.
Le moteur ne fonctionne pas.	1. Pas de courant.	Contrôler l'arrivée de courant électrique.
	2. Défaillance de l'interrupteur.	Renvoyer au lieu d'achat.
	3. Panne de moteur.	Renvoyer au lieu d'achat.
	4. Câblage incorrect/desserré.	Contrôler le câblage.
Fuite de liquide.	5. Joint torique défectueux.	Contrôler tous les joints toriques.
	6. Joint d'arbre sale.	Nettoyer le joint et son logement.
	7. Joint d'arbre défectueux.	Remplacer le joint.
	8. Fluide incompatible.	Référer la liste de pièces mouillées au fabricant de fluide.
	9. Visserie desserrée.	Resserrer la visserie.
La pompe ronfle mais ne fonctionne pas.	10. Panne de moteur.	Renvoyer au lieu d'achat.
	11. Clavette cassée.	Retirer tous les débris et changer la clavette.
	12. Palettes du rotor prises dans des cristaux de FED.	*Voir l'explication détaillée à la page 9.

***INFORMATIONS IMPORTANTES SUR LES ROTORS « PRIS DANS LES**

CRISTAUX » DE FED : le FED cristallise presque immédiatement au contact de l'air ; si de l'air atteint le FED dans la cavité du rotor, il peut faire cristalliser le FED et bloquer le rotor en place. Si cela se produit, la procédure suivante permet d'éliminer les cristaux des palettes et de remettre la pompe en service :

- 1) Déposer le couvercle du tamis.
- 2) Verser de l'eau désionisée dans l'ouverture du tamis ; les cristaux de FED se dissolvent instantanément.
- 3) Remonter le couvercle de tamis et serrer à 6 Nm (50 po-lb).
- 4) Pomper 20 à 40 litres (5 à 10 gallons) de FED à travers le système pour purger l'eau de la pompe.

Le texte en gras indique les réparations qui ne peuvent être effectuées par le propriétaire ; la pompe doit être retournée au point d'achat pour réparation.

Pour toute question concernant l'installation, l'utilisation ou l'entretien du produit, communiquer avec notre service à la clientèle au 1-800-634-2695 (lun-ven, 8h00-17h00 HNE). Nous sommes également joignables sur l'Internet à www.tuthill.com.



AVERTISSEMENT! NE PAS ouvrir ni tenter de réparer le moteur de la pompe Tuthill. La ramener au lieu d'achat pour réparation. L'ouverture du boîtier du moteur peut compromettre l'intégrité de l'assemblage antidéflagrant (sur les modèles équipés d'un moteur antidéflagrant) et a pour effet d'annuler toute garantie et homologation en vigueur (homologation UL).

Accessoires

Une grande variété d'accessoires est proposée pour optimiser le fonctionnement de la pompe Tuthill / Fill-Rite. Les accessoires proposés pour ce produit particulier sont indiqués ci-dessous. Contacter le distributeur Tuthill / Fill-Rite pour acheter les accessoires souhaités.

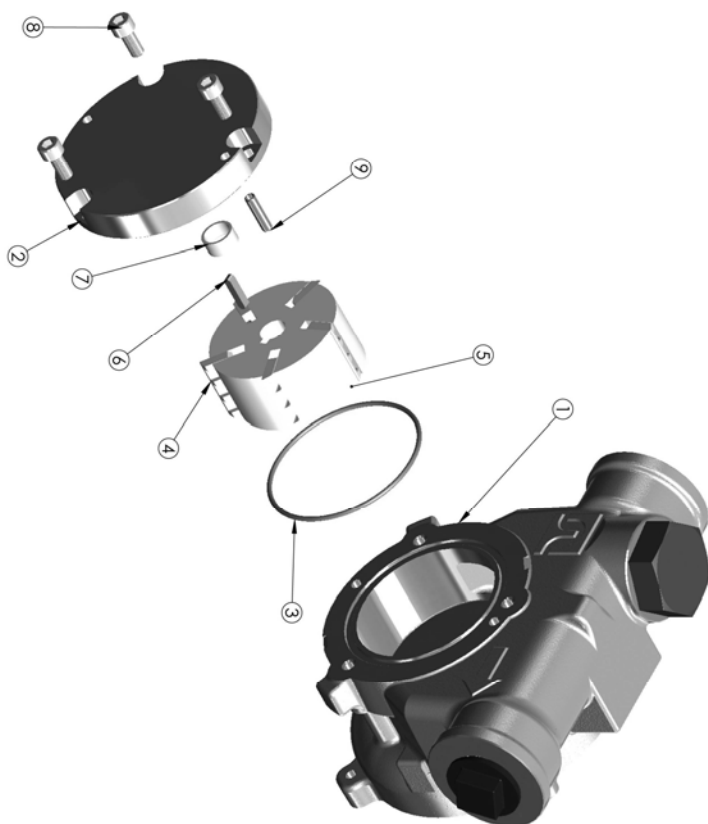
Réf. pièce	Description	Contenu
FRSA120801MATU	Ens. cuve palette	Pompe à FED 115 V c.a., plateau, tige et rétracteur de tuyau, compteur numérique, pistolet automatique, 30 l/min (8 gal/min.)
FRSA140801MATU	Ens. cuve palette	Pompe à FED 115 V c.a., plateau, potence et rétracteur de tuyau, compteur numérique, pistolet automatique, 30 l/min (8 gal/min.)
FRSD120801MATU	Ens. cuve palette	Pompe à FED 12 V c.c., plateau, potence et rétracteur de tuyau, compteur numérique, pistolet automatique, 30 l/min (8 gal/min.)
FRXSA120801MATU	Ens. cuve palette	Pompe à FED 115 V c.a. antidéflagrante, plateau, potence et rétracteur de tuyau, compteur numérique, pistolet automatique, 30 l/min (8 gal/min.)
FRXSA140801MATU	Ens. cuve palette	Pompe à FED 115 V c.a. antidéflagrante, plateau, potence et rétracteur de tuyau, compteur numérique, pistolet automatique, 30 l/min (8 gal/min.)
KITFR55DU	Ens. pour fût	Socle à roulettes
		Plateau
		Barre de verrouillage du fût
825D075BSPP	Compteur numérique	Compteur numérique Sotera série 825
075UMN11	Pistolet 1,9 cm (¾ po)	Pistolet manuel 1,9 cm (¾ po)
FRH7514	Tuyau 4 m x 1,9 cm (14 pi x ¾ po)	Tuyau 4 m x 1,9 cm (14 pi x ¾ po) avec fil antistatique

Pièces de rechange

Un entretien et des réparations corrects permettront d'assurer un service durable de ce produit Fill-Rite. Les pièces suivantes sont disponibles en cas de besoin et peuvent être obtenues auprès du distributeur Fill-Rite. Pour le pompage de FED, le maintien de la pureté du liquide est primordial, c'est pourquoi nous conseillons d'utiliser exclusivement des pièces Fill-Rite d'origine pour l'entretien et les réparations de la pompe afin de préserver l'intégrité de la pompe et du FED.

N° ensemble	Description	Contenu
KITFR32V	Ens. rotor de pompe à FED	1. Corps de pompe (non inclus dans l'ensemble)
		2. Couvercle de rotor
		3. Joint torique
		4. Palette de rotor
		5. Rotor
		6. Clavette de rotor
		7. Palier à coussinet-douille
		8. Visserie de fixation
		9. Pion de centrage

Assemblage du rotor de pompe à FED



Garantie du produit Tuthill

Tuthill Transfer Systems (le « fabricant ») garantit à chaque acheteur consommateur de ses produits Fill-Rite (l'« acheteur ») à compter de la date figurant sur la facture ou le ticket de caisse, que les marchandises de sa fabrication (les « marchandises ») sont exemptes de défauts de matériaux et de fabrication. La durée de la garantie est comme suit :

- Produits à service intensif – Deux ans
- Produits à service régulier – Un an
- Produits à service économique – Un an
- Pompes armoires, pièces et accessoires – Un an

La seule obligation du fabricant en vertu des garanties susmentionnées est limitée – au choix du fabricant – soit à la réparation ou au remplacement des marchandises défectueuses (sous réserve des limites prévues ci-après), soit au remboursement du prix d'achat payé par l'acheteur pour ladite marchandise et le seul recours de l'acheteur en cas de violation des présentes garanties est l'exécution des obligations du fabricant. Si le fabricant demande le renvoi des marchandises, celles-ci doivent être réexpédiées au fabricant FAB usine conformément aux instructions du fabricant. Les dispositions prévues aux présentes constituent le seul recours de l'acheteur contre le fabricant en cas de violation de la garantie. **LA RESPONSABILITÉ DU FABRICANT POUR TOUTE DEMANDE EN DOMMAGES-INTÉRÊTS RÉSULTANT DE LA FABRICATION, LA VENTE, LA LIVRAISON OU L'UTILISATION DES MARCHANDISES NE SAURAIT EN AUCUN CAS EXCÉDER LE PRIX D'ACHAT.** Les garanties précédentes ne couvrent pas les marchandises ayant fait l'objet d'un emploi abusif, de négligence, d'un accident, d'une installation ou d'un entretien incorrects ou qui ont été réparées par quiconque autre que le fabricant ou ses représentants autorisés. **LES GARANTIES PRÉCÉDENTES SONT EXCLUSIVES ET REMPLACENT TOUTES LES AUTRES GARANTIES DE QUALITÉ MARCHANDE, D'ADAPTATION À TOUTE AUTRE FIN, QU'ELLES SOIENT EXPRESSES OU IMPLICITES.** Personne n'est autorisé à modifier les garanties ou recours définis aux présentes, sauf par écrit et signé par un représentant dûment autorisé du fabricant. L'acceptation par le consommateur de la livraison des marchandises constitue son consentement aux dispositions des présentes garanties et recours et de toutes les conditions et limites associées.

Numéro de modèle		Code à barres CUP	
Date de fabrication		Numéro de série	

Caractéristiques et informations techniques

Fonctions et caractéristiques de la pompe à FED et du moteur

- Admission : 3/4 po ou 1 po BSPP ou NPT (3/4 po BSPP de série)
- Refoulement : 3/4 po ou 1 po BSPP ou NPT (3/4 po BSPP de série)
- Corps, couvercle de rotor, ressort de dérivation, tamis et arbre moteur en acier inoxydable
- Rotor, palettes, joints et autres pièces non métalliques en copolymère homologué
- Tamis facile d'accès
- Soupape de dérivation automatique
- Moteur c.a. à service continu de 1/2 HP ou 1/4 HP à démarrage par condensateur
- Moteur c.c. à service continu de 1/2 HP
- C.a., c.a. antidéflagrant – 115, 115/230 V c.a. – 60 Hz/monophasé
- C.c. ou c.c. antidéflagrant – 12 V c.c., 12/24 V c.c.
- Protection contre les surcharges thermiques et robuste commutateur

Performances du moteur et la pompe à FED

- Pression de réglage de la soupape de dérivation ~ 207 kPA (30 PSI)
- 26,5 – 72 l/min (7 – 19 gal/min)
- HMT = 19,5 m (64 pieds) au réglage de la soupape de dérivation
- Température d'exploitation ~ -15 à 49 °C (5 à 120 °F)*

Dimension hors tout :

Pompe à FED c.a. : (lxhxp) 35,94 x 30,04 x 29,21 cm (14,15 x 11,825 x 11,5 po)

Pompe à FED c.c. : (lxhxp) 35,94 x 42,16 x 29,65 cm (14,15 x 16,6 x 11,675 po)

Ens. cuve palette : (lxhxp) 38,74 x 40,89 x 35,81 cm (15,25 x 16,1 x 14,1 po)

Ens. fût de 208 litres (55 gallons) :

Poids d'expédition :

Pompe à FED c.a. : 11 kg (25 lb)

Pompe à FED c.c. : 11 kg (25 lb)

Ens. cuve sur palette : 19 kg (42 lb)

Ens. fût de 208 litres (55 gallons) : 34 kg (75 lb)

Accessoires :

- Voir la liste complète des accessoires proposés à la page 9.

Liquides compatibles

Fluide d'échappement diesel (solution d'urée aqueuse à 32,5 %)

Carburant diesel

Biodiesel (jusqu'à B20) Essence Kérosène Essences minérales

Solvants Stoddard

Heptane



IMPORTANT! En cas de doute sur la compatibilité d'un liquide particulier, communiquer avec le fournisseur du liquide pour confirmer l'absence de réactions contraires avec les matériaux mouillés suivants :

Acier inoxydable

Fluorocarbène

Polypropylène

Polyoxyméthylène

Homologations de sécurité

La gamme de pompes **Fill-Rite** a été testée pour vérifier sa conformité aux normes de sécurité établies par UL Laboratories. Des certificats de conformité ont été obtenus auprès d'UL Laboratories.



Des certificats de conformité pour la sécurité ont été obtenus auprès des organismes suivants pour les produits vendus en dehors des États-Unis et du Canada. Voir les données de conformité particulières du produit considéré sur son étiquette.



Normes CENELEC

