



FILL-RITE®

Operation and Safety Manual TT10A In-line Turbine Meter



Dear Tuthill Customer,

Thank you for buying a Tuthill product. Tuthill represents a new age in transfer and measuring equipment. This manual contains valuable information about your new equipment and its operating and service requirements. Please take a few minutes to review this material carefully.

Tuthill's mission is to provide fluid handling systems that deliver the most accurate, safe, convenient, and economical transfer systems for users of fuels.

If, for any reason, any of the products do not meet your performance expectations, we want to hear from you.

Your comments and suggestions are requested and appreciated. Thank you again for buying a Tuthill product. We look forward to serving you in the future.

The Tuthill Team 1-800-634-2695

CAUTION!

Wear proper safety equipment when handling hazardous fluids.

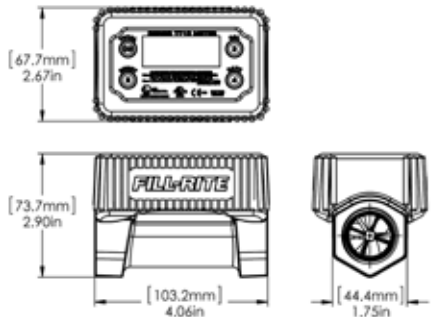
TT10A (Fuels) Technical Information

Flow Ports	1" NPT or BSPP female inlet and outlet ports
Flow Range	2 to 35 U.S. GPM / 7.6 to 132.5 LPM
Working Pressure	50 PSI (3.4 Bar) MAX UL 300 PSI (20.7 Bar) Burst
Storage Temperature	-40°F to 176°F (-40°C to 60°C) (No Liquids)
Operating Temperature	-40°F to 176°F (-40°C to 60°C)
Measurement Accuracy	±1.0% (After field calibration)
Measurement Repeatability	±0.30% (Batch sizes ≥ 2 Gallons)
Measurement Units	Ounce, Pint, Quart, Liter, Gallon
Totalizer Range	0 - 90,000,000 Units
Batch Range	0.00 - 9999 Units (<i>Blinks when Batch exceeds 9999</i>)
Wetted Materials	304/316 Stainless Steel, Aluminum Acetal, Gold
Display	-40°F to 176°F (-40°C to 60°C)
Power	2 approved alkaline batteries. See battery replacement section of the manual
Memory	Meter totals and calibration are preserved when replacing batteries
Safety	Intrinsically safe electronics for use in hazardous locations.

Safety Instructions

To ensure safe and efficient operation, it is essential to read and follow each of the following warnings and precautions.

1. Fuels and Chemicals flowing through the meter may be harmful to your health. Use and disposal of these products is controlled by federal, state, or local laws and procedures.
2. Conform to fluid manufacturer's recommended handling procedures when using product and when cleaning meter.
3. Do not exceed an internal meter pressure of 50 PSI (3.5 Bar) for the TT10A models and 125 PSI (8.6 Bar) for the TT10P models.
4. Improper use or installation of this product can cause serious bodily injury or death.
5. Ensure the piping and hoses connected to the meter are properly grounded when metering or using near flammable fluids.
6. **DO NOT** install additional foot or check valves without use of a pressure relief valve; otherwise the meter may rupture.
7. To avoid build up of electrostatic discharge, please clean with damp cloth only.
8. The meter body is made of aluminum alloy. Avoid impact or friction on meter body.



General Description

The TT10 Series Meters are electronic turbine meters suitable for use in Hazardous Locations and extreme temperatures.

The TT10 Meters feature advanced electronics that eliminate false counts in high vibration and mobile applications without sacrificing the ability to meter at low flows.

The meter can store and display the current metered amount (batch total), or cumulative metered amount (totalizer) in any of five user selectable units (ounces, pints, quarts, liters, and gallons).

The meter may be easily adjusted for different fluids by selecting a calibration factor from one of 20 settings.

Power is supplied by two replaceable AA alkaline batteries.

Fluid / Viscosity Compatibility

The TT10A Series meters will handle most fuels with viscosities in the range of 0.4 cSt to 79 cSt.

You may meter fluids that exceed a viscosity of 79 cSt, but accuracy will be limited to the calibration flow rate. Set the meter for CAL 19 and follow the calibration described in this manual.

If in doubt about compatibility of a specific fluid, contact the supplier of the fluid to check for any adverse reactions to the listed materials in the Technical Information section of this manual.

Approved Fluids:

- Gasoline
- Diesel
- Kerosene
- Hexane
- Heptane
- Mineral Spirits
- Non-potable fresh water

Installation

Installation Hints

Excess sealant tape or thread compound upstream of the meter can break free and jam or impair the rotor and cause meter failure. Use of an appropriate amount of thread compound is the preferred method of installation.

Use a compatible sealant tape or thread compound on all threaded joints.

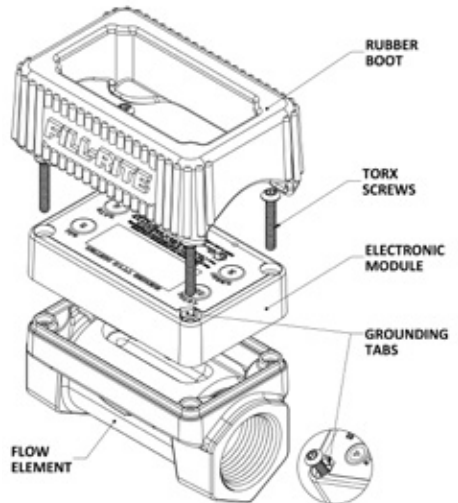
1. Determine correct direction for fluid flow and point the arrow on the underside of the meter body in that direction. *Installing the meter in the wrong direction of flow will significantly impact the performance of the meter.*

2. Thread the hose or pipe into ports until snug. Be careful not to cross thread when starting threads or over-tighten the meter.

Electronic Module Orientation

The Display can be oriented for right-to-left or left-to-right flow.

1. Peel off the protective rubber boot and set aside.
2. Remove the 4 screws holding on the electronic module using a T-20 Torx driver.
3. Remove the module and rotate 180°. Ensure that the foam pad under the batteries is reinstalled correctly if it falls out. This is critical to ensure the batteries are not dislodged if the meter is exposed to rough handling.
4. Reinstall the 4 screws. They should be tight enough to fully seat the module. The recommended installation torque is 5-10 in-lb (0.6-1.1 Nm). *Over-tightening may crack the module.*
5. Reinstall the protective rubber boot.



⚠ CAUTION!

When reinstalling the screws for the electronic module, ensure the grounding tabs are captured under the heads of the screws. This ensures proper ground and protection against static discharge when handling the meter.

Operational Functions

TOTAL ON	<ul style="list-style-type: none"> Turns meter on. Displays accumulated total while pressed. If the accumulated total is larger than 9999, the numbers will scroll across the screen in groups of 4 digits.
RESET 2	When held for 3 seconds, it resets the current total to zero. Also reverts to normal operating mode when in CAL or FLSH mode.
CAL 3	When held for 3 seconds, it allows changes to the calibration/fluid factor displayed in the bottom left corner. Repeated activation will increment the number up to 19 and then back to zero. When the desired number is displayed, press button 2 to lock in the new number and return to normal operation. Please reference Table 1 for specifics.
RATE 4	When held for 3 seconds, the RATE icon is displayed. The active flow rate will be displayed. Press button 4 again to resume normal operation. The meter will continue to count volume while flow rate is displayed.

NOTE

The meter display will automatically turn off after 30 seconds of inactivity to conserve batteries. It will turn on when flow resumes or any button is pushed. No data is lost during periods of inactivity.

Changing Units of Measure

The units of measure can be changed to ounces (OZ), pints (PT), quarts (QT), gallons (GAL), or liters (LITER) without recalibrating the meter.

- Hold buttons **2** and **4** for three seconds. The display will show the firmware version.
- Press button **3**. The display will show the current unit.
- To change units, press the **ON** button repeatedly until the desired unit is displayed.
- Press button **2** to lock in the selection. The display will show the firmware version.
- To return to normal operating mode press button **2** again.
- The units selected will be displayed. Current or accumulated total will be updated to reflect the new unit of measure.

Press Calibration/Fluid Type Factor (CAL)

The TT10 Series Meters provide 20 preset factors for different fluid types/viscosities.

Use of calibration factors is intended to provide the most accurate metering solution for a specific fluid. A CAL factor of 0 is for use with the thinnest fluids and increases for higher viscosity fluids.

- Press and hold button **3** for 3 seconds. The current dispensed count value will disappear and only the CAL icon and the current value will be displayed.
- Repeatedly pushing button **3** will increment the number up to 19 and then back to zero.
- After the desired fluid factor has been selected, press button **2** to lock in the fluid factor and return the meter to normal operating mode.

CAL Factors and viscosities shown in the table below are for fluids at 70°F / 21°C.

Cal	0	1	2	3	4	5	6	7	8	9
cSt	0.36	0.48	0.63	0.84	1.12	1.48	1.98	2.62	3.48	4.62
Fluid	Heptane		Gasoline		Water / DEF		Mineral Spirits	Kerosene	Diesel	B100
Cal	10	11	12	13	14	15	16	17	18	19
cSt	6.15	8.16	10.8	14.4	19.1	25.4	33.7	44.8	59.5	79.0
Fluid		Jet Fuel			Ethylene Glycol				Propylene glycol	10W-30 Oil / ATF

Table 1: CAL Factor Table

NOTE

Use of the CAL/Fluid factor is independent from performing a calibration against a known volume. The meter is calibrated at the factory, but performing a field calibration may further improve meter accuracy.

Fluid Calibration

Fluid calibration requires a container of a known volume at least 5 gallons or larger that is compatible with the fluid being metered.

A larger volume may be used and may improve calibration accuracy, but do not exceed 99.99 units of measure.

NOTE

Before performing a fluid calibration, ensure you have selected the closest matching CAL/Fluid factor to ensure the best meter accuracy.

1. Press the **[2]** & **[4]** buttons at the same time and hold for 3 seconds. The display will show the firmware version.
2. Press button **[3]** to enter calibration mode. The unit of measure will be displayed.
3. Press button **[3]**. The display will read "FILL".
4. Now dispense fluid into your container. "FILL" will blink on the display when flow is detected.
5. After dispensing fluid, press the ON button. The left digit of the display will blink. ("00.00")
6. Press button **[4]** to increment the digit to the amount of fluid dispensed (example: "05.00"). Press the **[ON]** button to move to the right. If you make a mistake, press button **[2]** to start back at the left-most digit.
7. After number is loaded, press the **[ON]** button again to accept the entered volume.
8. Display now shows the configured CAL factor.
9. Press the **[ON]** button again and the firmware version will be displayed.
10. Press the **[2]** button again to return to normal operating mode.

NOTE

If the value entered is out of an acceptable range, the display will read "Err0" and the meter will revert to the previous settings. See Troubleshooting Guide for more information.

TIP

If you are metering in ounces, pints, or quarts, it may be easier to switch the meter to a larger unit of measure such as gallons or liters for the calibration process and then change back to the desired unit of measure.

Flush Mode (FLSH)

Use of Flush mode allows you to flush the meter without adding volume to the meter totals. This is useful when flushing the meter for storage or switching between different liquids and you want to maintain accurate totals.

1. Hold buttons **[3]** and **[4]** for 3 seconds. The Meter will display "FLSH".
2. Press button **[2]** to return to normal operating mode.

Reset Accumulated Total

1. Press and hold buttons **[2]** and **[4]** for 3 seconds. The current firmware version will be displayed.
2. Press the **[ON]** button to display the accumulated total. If over 9999 units, the accumulated total will scroll across the display.
3. Hold buttons **[ON]** and **[4]** together for 5 seconds to reset the accumulated total.
4. Press the **[2]** button twice to return to normal operating mode.

K-Factor Check

You can check the internal calibration factor for the meter. The displayed value is the number of sensor counts per selected unit of measure and CAL/Fluid factor. *The factory may ask you for this value if troubleshooting the Meter.*

1. Hold buttons **[3]** and **[4]** for 3 seconds. The Meter will display "FLSH".
2. Press and hold buttons **[ON]** and **[3]** together. The number of counts per unit of measure will be displayed.
3. Press button **[2]** to return to normal operating mode.

Battery Replacement

Batteries should be replaced when the LOW battery icon begins to blink on the display. The meter totals, configuration, and calibration are preserved while the batteries are being replaced, so there is no need to recalibrate afterwards.



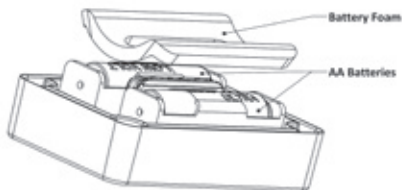
WARNING!

When replacing batteries, make the area safe of explosive vapors, or move the meter electronics to a safe area before replacing them.

The batteries are accessed by removing the display as described in the section showing how to rotate the display.

The Battery Foam may be stuck to the batteries. Carefully remove it and reinstall at assembly. The Battery Foam protects the batteries and prevents them from becoming dislodged if the meter is handled roughly.

Pay attention to the polarity of the batteries as marked inside the battery holder. The meter will not operate if the batteries are installed incorrectly and damage may occur.



⚠ WARNING!

To reduce the risk of explosion DO NOT mix old batteries with new batteries, or mix batteries of different manufacturers.

Batteries may ONLY be replaced with the following:

- Duracell MN1500
- Energizer E91
- Duracell QU1500

Maintenance and Storage

If the meter will be stored for an extended period of time without use and is being used with a fluid that may leave a residue, it should be flushed with a compatible fluid to prevent sticking and binding of the turbine assembly.

The exterior of the meter may be wiped down with a mild water based detergent and damp cloth to clean the display. *Do not use a power washer to clean the meter.*

⚠ IMPORTANT!

Use of compressed air WILL cause permanent damage to the meter. Always use a gentle stream of compatible fluid to rinse the interior of the meter.

Regulatory

Safety Testing Approvals

The Fill-Rite TT10 Series meters have been tested for compliance to the standards set forth by Underwriters Laboratories (UL), UL Canada, ATEX, and other testing organizations. **To determine which specific compliances apply to your particular meter, refer to the faceplate for information and compliance logos.**

FLOW METER FOR HAZARDOUS LOCATIONS Exia INTRINSICALLY SAFE (SECURITE INTRINSEQUE)

Class I, Group D, T4; Class I, Zone 0, AEx ia IIA T4
Ex ia IIA T4; IECEx UL 16.0147X; Ex ia IIA T4 Ga;
-40°C < Ta < +60°C



CE Certification Information

The TT10 Series meters bearing the CE mark have been certified to the following European directives:

2011/65/EU: Restriction of the use of certain hazardous substances in electrical and electronic equipment. 2014/30/EU: Electromagnetic Compatibility

The following standards were used to test and show compliance:



Emissions

EN 55011:2009/A1:2010 Group 1, Class B, Industrial, Scientific, and Medical (ISM) Equipment

Immunity

- IEC 61000-4-8: 2010 Magnetic Field
- EN 60079-0: 2012 + A11:2013
- IEC 60079 Edition 6
- EN 60079-11: 2012
- IEC 60079-11 Edition 6
- UL60079-0 Sixth Edition
- UL60079-11 Sixth Edition
- CAN/CSA - C22.2 No 157-92
- CAN/CSA - C22.2 No 60079-0:2014
- CAN/CSA - C22.2 No 60079-11:2015
- UL 25
- ULC/ORD-C25

Table 2: Troubleshooting Guide

Problem	Possible Cause	Solution	
Meter won't turn on	<ul style="list-style-type: none"> • Dead batteries • Damaged electronics 	<ul style="list-style-type: none"> • Replace batteries • Replace the meter 	Seal to electronics is broken if the display is removed or punctured.
Flashing decimals	Counter has exceeded 9999 units	Reset display to zero by pressing and holding button 	Meter will continue to operate normally.
Flashing BAT Icon	Low batteries	Replace batteries	See battery replacement section
Leaking fluid at the inlet / outlet port	<ul style="list-style-type: none"> • Need thread sealant • Cross-threaded port 	<ul style="list-style-type: none"> • Add sealant to the joint • Replace the meter 	
Fluid flows; meter won't count	<ul style="list-style-type: none"> • Turbine is jammed • Meter failure 	<ul style="list-style-type: none"> • Flush the meter • Replace the meter 	
Meter reading is not correct	<ul style="list-style-type: none"> • Air is in system • Meter is installed backwards • Fluid viscosity changed • Wrong CAL/fluid factor • Poor calibration 	<ul style="list-style-type: none"> • Ensure meter is full of liquid at all times • Correct flow direction of the meter • Use correct CAL/factor • Recalibrate 	Meter will count air. Fluid viscosities will change with temperature
Meter is not consistent / repeatable	<ul style="list-style-type: none"> • Air is in the system • Meter is installed backwards • Particulates in the fluid • Turbine is gummed up • Operating outside flow range of meter 	<ul style="list-style-type: none"> • Ensure meter is full of liquid at all times • Correct flow direction of the meter • Flush the meter • Put a screen in front of meter • Operate within flow range of meter 	40 mesh minimum inlet screen
Err0	<ul style="list-style-type: none"> • Calibration Error • Meter may have excessive wear 	<ul style="list-style-type: none"> • Recalibrate with a more accurate container • Replace the meter 	Indicates fluid calibration is out of acceptable range. Volumetric container may not be accurate or there is air in the system. Meter may have excessive wear
Err1	Damaged electronics or Software error	<ul style="list-style-type: none"> • Press and hold button  to reset counter and then recalibrate meter • Replace the meter 	
Err2	Bad eeprom	Replace the meter	Meter still functions but totals and calibration will be lost if batteries are removed.

LIMITED WARRANTY POLICY

Revision Date: August 1, 2014
Fill-Rite and Sotera Products

Tuthill Transfer Systems ("Manufacturer") warrants each consumer buyer of its products ("Buyer") from date of sale that goods of its manufacture ("Goods") shall be free from defects of materials and workmanship.

The duration of the warranty is as follows:

From Date of Sale	Not to Exceed the Following Period from Date of Manufacture	Product Series	
Five Years	60 Months	SP100 Series Pumps	400 Series Pumps
Two Years	27 Months	Heavy Duty Pumps and Meters, 820, 825, and 850 Meters	Cabinet Pumps, Cabinet Meters, TN Meters, TM Meters, TS Meters
One Year	15 Months	Standard Duty Pumps and Meters, 1600 Pumps	Accessories Parts

* proof of purchase should be presented to place of purchase

** see Appendix for definition of "Heavy Duty" and "Standard Duty" products

End users must contact the place where they purchased the product to process a warranty. "Place of purchase" is defined as any authorized TTS Distributor, including any and all retail stores, mail order houses, catalogue houses, on-line stores, commercial distributors.

Manufacturer's sole obligation under the foregoing warranties will be limited to either – at Manufacturer's option – replacing defective goods (subject to limitations hereinafter provided) or refunding the purchase price for such Goods theretofore paid by the buyer, and Buyers exclusive remedy for breach of any such warranties will be enforcement of such obligations of the Manufacturer. If the Manufacturer so requests the return of such Goods, the Goods will be redelivered to the manufacturer in accordance with Manufacturer's instructions FOB Factory.

The remedies contained herein shall constitute the sole recourse of the Buyer against the Manufacturer for breach of warranty. **IN NO EVENT SHALL THE MANUFACTURER'S LIABILITY FOR ANY CLAIM FOR DAMAGES ARISING OUT OF THE MANUFACTURE, SALE, DELIVERY, OR USE OF THE GOODS EXCEED THE PURCHASE PRICE.**

The foregoing warranties will not extend to goods subject to misuse, neglect, accident, improper installation or maintenance, or have been repaired by anyone other than the Manufacturer or its authorized representative. **THE FOREGOING WARRANTIES ARE EXCLUSIVE AND IN LIEU OF ALL OTHER WARRANTIES OF MERCHANTABILITY, FITNESS FOR PURPOSE OF ANY OTHER TYPE, WHETHER EXPRESSED OR IMPLIED.** No person may vary the forgoing warranties or remedies, except in writing signed by a duly authorized officer of the Manufacturer. The Buyer's acceptance of delivery of the Goods constitutes acceptance of the foregoing warranties and remedies, and all conditions and limitations thereof.



Tuthill Corporation
8825 Aviation Drive | Fort Wayne, Indiana 46809
P (800) 634-265 | (260) 747-7524
F (800) 866-4681

www.tuthill.com

www.fillrite.com

www.sotera.com

Tuthill UK LTD.
Birkdale Close Manners Industrial Estate
Ilkeston, Derbyshire
DE7 8YA
UK
P +44 0 115 932 5226
F+44 0 115 932 4816





FILL-RITE®

Manual de operación y seguridad Medidor de turbina en línea TT10A



Estimado cliente de Tuthill:

Gracias por adquirir un producto Tuthill. Tuthill representa una nueva era en equipos de medición y transferencia. Este manual contiene información importante acerca de su equipo nuevo y sus requisitos de operación y servicio. Tómese unos minutos para revisar cuidadosamente este material.

La misión de Tuthill es proporcionar sistemas de manipulación de líquidos que ofrecen sistemas de transferencia más precisos, seguros, prácticos y económicos para los usuarios de combustibles.

Si por cualquier motivo alguno de los productos no cumple sus expectativas de rendimiento, nos interesa conocer su opinión.

Le solicitamos y valoramos sus comentarios y sugerencias. Gracias nuevamente por adquirir un producto Tuthill. Esperamos servirle en el futuro.

El equipo Tuthill 1-800-634-2695



Instrucciones de seguridad

Para garantizar una operación segura y eficiente, es fundamental leer y respetar todas las precauciones y advertencias que se indican a continuación.

1. Los combustibles y las sustancias químicas que fluyen a través del medidor pueden ser nocivos para su salud. El uso y la eliminación de estos productos están controlados mediante procedimientos y leyes locales, estatales o federales.
2. Cumpla los procedimientos de manipulación que recomienda el fabricante cuando use los productos y cuando limpie el medidor.
3. No exceda una presión interna de 3,5 bar (50 psi) en el caso de los modelos TT10A y 8,6 bar (125 psi) en los modelos TT10P.
4. La instalación o el uso incorrectos de este producto pueden provocar lesiones corporales graves o la muerte.
5. Asegúrese de que las tuberías y mangueras conectadas al medidor estén correctamente conectadas a tierra cuando realice la medición o cuando trabaje cerca de líquidos inflamables.
6. **NO** instale una válvula de contención o una válvula de retención adicional sin una válvula de alivio de presión, de lo contrario el medidor podría romperse.
7. Para evitar la acumulación de descarga electrostática, limpie solamente con un paño húmedo.
8. El cuerpo del medidor está fabricado con una aleación de aluminio. Evite los impactos o quiebres en el cuerpo del medidor.

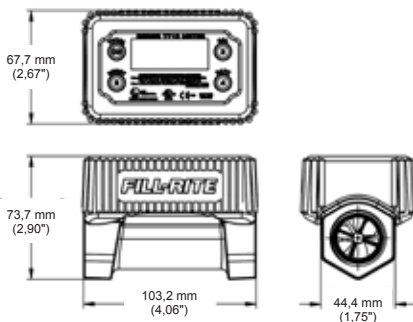


¡PRECAUCIÓN!

Use equipos de seguridad adecuados cuando manipule líquidos peligrosos.

Información técnica (combustibles) acerca de TT10A

Puertos de flujo	Puertos de salida y entrada, rosca hembra de 1" NPT o BSPP
Rango de flujo	7,6 a 132,5 LPM (2 a 35 GPM [EE. UU.])
Presión de trabajo	3,4 bar (50 psi) UL MÁX. 20,7 bar (300 psi) estallido
Temperatura de almacenamiento	-40 °C a 60 °C (-40 °F a 176 °F) (Sin líquidos)
Temperatura de operación	-40 °C a 60 °C (-40 °F a 176 °F)
Precisión de medición	± 1,0 % (después de calibración en terreno)
Repetibilidad de medición	± 0,30 % (tamaños de lotes ≥ 2 galones)
Unidades de medición	Onza, pinta, cuarto de galón, litro, galón
Rango del totalizador	Unidades de 0 a 90.000.000
Rango de lote	Unidades de 0,00 a 9999 (<i>parpadea cuando el lote excede 9999</i>)
Materiales húmedos	Acero inoxidable 304/316, Acetal, aluminio, oro
Visualización	-40 °C a 60 °C (-40 °F a 176 °F)
Energía	2 pilas alcalinas aprobadas. Consulte la sección de reemplazo de pilas del manual.
Memoria	La calibración y los totales del medidor se conservan cuando se cambian las pilas.
Seguridad	Electrónica de seguridad intrínseca para uso en ubicaciones peligrosas.



Descripción general

Las unidades de la serie TT10 son medidores electrónicos de turbinas adecuados para su uso en ubicaciones peligrosas y temperaturas extremas.

Los medidores TT10 cuentan con componentes electrónicos avanzados que eliminan los conteos falsos en aplicaciones móviles y de alta vibración, sin sacrificar la capacidad de medir en flujos bajos.

El medidor puede almacenar y mostrar la cantidad medida actual (total de lote) o la cantidad medida acumulativa (totalizador) en cualquiera de las cinco unidades que el usuario puede seleccionar (onza, pinta, cuarto de galón, litro y galón).

El medidor se puede ajustar fácilmente para distintos líquidos mediante la selección de un factor de calibración de entre una lista de 20 ajustes.

La energía se suministra mediante dos pilas alcalinas reemplazables tamaño "AA".

Compatibilidad de viscosidad y líquido

Los medidores de la serie TT10A manipulan la mayoría de los combustibles con viscosidades en el rango de 0,4 cSt a 79 cSt.

Puede medir líquidos con una viscosidad superior a 79 cSt, pero la precisión se limitará a la velocidad de flujo de calibración. Ajuste el medidor para CAL 19 y siga los pasos de calibración que se indican en este manual.

Si tiene dudas sobre la compatibilidad de líquidos específicos, comuníquese con el proveedor del líquido para verificar cualquier reacción adversa con los materiales que se indican en la sección Información técnica de este manual.

Líquidos aprobados:

- Gasolina
- Diesel
- Keroseno
- Hexano
- Heptano
- Alcoholes minerales
- Agua dulce no potable

Instalación

Sugerencias de instalación

El exceso de cinta selladora o compuesto para roscas situados aguas arriba del medidor, se puede soltar y atascar o dañar el rotor y provocar la falla del medidor. El método de instalación preferido es el uso de una cantidad apropiada de compuesto para roscas.

Use un compuesto para roscas o una cinta selladora compatible en todas las uniones roscadas.

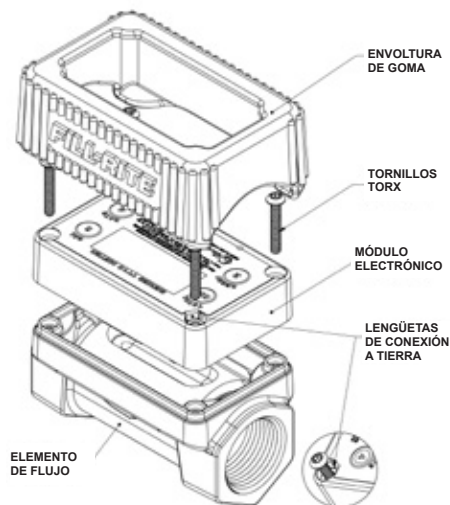
1. Determine la dirección correcta del flujo de líquido y apunte la flecha que está en la parte inferior del cuerpo del medidor en dicha dirección. *Instalar el medidor en la dirección de flujo incorrecta tendrá un impacto importante en su rendimiento.*

2. Enrosque las tuberías o mangueras en los puertos hasta que queden ajustadas. Tenga cuidado de no forzar la rosca cuando comience a enroscar y de no apretar en exceso el medidor.

Orientación del módulo electrónico

La pantalla se puede orientar para un flujo de derecha a izquierda y de izquierda a derecha.

1. Despegue la envoltura de goma protectora y deje a un lado.
2. Retire los 4 tornillos que sostienen el módulo electrónico, con un destornillador Torx T-20.
3. Retire el módulo y gírelo en 180°. Asegúrese de que la almohadilla de espuma que está debajo de las pilas se reinstale correctamente en el caso de que se salga. Esto es fundamental para asegurarse de que las pilas no se desconecten si el medidor se somete a una manipulación brusca.
4. Vuelva a instalar los 4 tornillos. Estos deben estar lo suficientemente apretados como para asentar completamente el módulo. El par de torsión de instalación recomendado es 0,6 a 1,1 Nm (5 a 10 lb-in). *El exceso de apriete puede quebrar el módulo.*
5. Vuelva a instalar la envoltura de goma protectora.



⚠ ¡PRECAUCIÓN!

Cuando reinstale los tornillos del módulo electrónico, asegúrese de que las lengüetas de conexión a tierra estén capturadas debajo de las cabezas de los tornillos. Esto garantiza que haya una correcta conexión a tierra y protección contra descargas estáticas cuando manipule el medidor.

Funciones operacionales

TOTAL ON	<ul style="list-style-type: none"> Enciende el medidor. Muestra el total acumulado mientras se presiona. Si el total acumulado es mayor que 9999, los números se desplazarán entre la pantalla en grupos de 4 dígitos.
RESET 2	Quando se presiona durante 3 segundos, restablece el total actual a cero. También vuelve al modo de operación normal cuando se encuentra en modo CAL o FLSH.
CAL 3	Quando se presiona durante 3 segundos, permite realizar cambios en el factor de calibración/ líquido, que se muestra en la esquina inferior izquierda. La activación reiterada incrementará el número hasta 19 y luego volverá a cero. Cuando se muestre el número deseado, presione el botón [2] para bloquear el número nuevo y volver a la operación normal. Consulte la Tabla 1 para obtener información específica.
RATE 4	Quando se presiona durante 3 segundos, se muestra el ícono RATE (Velocidad). Se mostrará la velocidad de flujo activa. Presione el botón [4] nuevamente para reanudar la operación normal. El medidor seguirá contando el volumen mientras se muestre la velocidad de flujo.

NOTA

La pantalla del medidor se apagará automáticamente después de 30 segundos de inactividad para ahorrar pilas. Se encenderá cuando el flujo se reanude o cuando se presione cualquier botón. Ningún dato se pierde durante los periodos de inactividad.

Cambio de las unidades de medida

Las unidades de medida se pueden cambiar a onzas (OZ), pintas (PT), cuartos de galón (QT), galones (GAL) o litros (LITER) sin necesidad de recalibrar el medidor.

- Presione los botones **[2]** y **[4]** durante tres segundos. La pantalla mostrará la versión de firmware.
- Presione el botón **[3]**. La pantalla mostrará la unidad actual.
- Para cambiar las unidades, presione reiteradamente el botón **[ON]** (Encendido) hasta que se muestre la unidad deseada.
- Presione el botón **[2]** para bloquear la selección. La pantalla mostrará la versión de firmware.
- Para volver el modo de operación normal, presione el botón **[2]** otra vez.
- Se mostrarán las unidades seleccionadas. El total actual o acumulado se actualizará para reflejar la nueva unidad de medida.

Factor de tipo de líquido/calibración de prensa (CAL)

Los medidores de la serie TT10 ofrecen 20 factores preestablecidos para distintos tipos de viscosidades y tipos de líquidos.

El uso de los factores de calibración tiene el propósito de proporcionar la solución de medición más precisa para un líquido específico. Un factor CAL de 0 es para el uso de los líquidos menos viscosos y aumenta para los líquidos con mayor viscosidad.

- Mantenga presionado el botón **[3]** durante 3 segundos. Aparecerá el valor del conteo dispensado actual y solo se mostrará el valor actual y el ícono CAL.
- La presión reiterada del botón **[3]** incrementará el número hasta 19 y luego volverá a cero.
- Después de seleccionar el factor de líquido deseado, presione el botón **[2]** para bloquear el factor de líquido y vuelva el medidor al modo de operación normal.

Las viscosidades y factores CAL que se muestran en la siguiente tabla son para líquidos a 21 °C / 70 °F.

Cal	0	1	2	3	4	5	6	7	8	9
cSt	0,36	0,48	0,63	0,84	1,12	1,48	1,98	2,62	3,48	4,62
Líquido	Heptano		Gasolina		Agua / DEF		Alcoholes minerales	Keroseno	Diesel	B100

Cal	10	11	12	13	14	15	16	17	18	19
cSt	6,15	8,16	10,8	14,4	19,1	25,4	33,7	44,8	59,5	79,0
Líquido		Carburante			Etilenglicol				Propilenglicol	Acetite 10W-30 / ATF

Tabla 1: Tabla de factor CAL

NOTA

El uso del factor de líquido/CAL es independiente de la realización de la calibración en comparación con un volumen conocido. El medidor se calibra en la fábrica, pero la realización de una calibración en terreno puede mejorar aún más la precisión del equipo.

Calibración del líquido

La calibración del líquido requiere un recipiente de un volumen conocido de al menos 19 litros (5 galones) o más grande, que sea compatible con el líquido que se esté midiendo.

Se puede utilizar un volumen más grande, lo que puede mejorar la precisión, pero no exceda las 99,99 unidades de medida.

NOTA

Antes de realizar una calibración de líquido, asegúrese de haber seleccionado el factor de líquido/CAL más cercano, para garantizar la mejor precisión del medidor.

1. Mantenga presionados los botones **[2]** y **[4]** durante 3 segundos. La pantalla mostrará la versión de firmware.
2. Presione el botón **[3]** para ingresar al modo de calibración. Se mostrarán las unidades de medida seleccionadas.
3. Presione el botón **[3]**. La pantalla mostrará "FILL" (Llenar).
4. Comience a verter el líquido en el recipiente. "FILL" parpadeará en la pantalla cuando se detecte el flujo.
5. Después de verter el líquido, presione el botón ON. El dígito izquierdo de la pantalla parpadeará. ("00.00")
6. Presione el botón **[4]** para incrementar el dígito hasta la cantidad de líquido vertida (por ejemplo: "05.00"). Presione el botón **[ON]** para moverse a la derecha. Si comete un error, presione el botón **[2]** para comenzar desde el dígito que está más a la izquierda.
7. Después de cargar el número, presione nuevamente el botón **[ON]** para aceptar el volumen ingresado.
8. La pantalla ahora muestra el factor CAL configurado.
9. Presione nuevamente el botón **[ON]** y se mostrará la versión de firmware.
10. Presione el botón **[2]** nuevamente para volver al modo de operación normal.

NOTA

Si el valor ingresado está fuera de un rango aceptable, la pantalla mostrará "Err0" y el medidor volverá a la configuración anterior. Consulte la Guía de solución de problemas para obtener más información.

CONSEJO

Si realiza la medición en onzas, pintas o cuartos de galón, puede que sea más fácil cambiar el medidor a una unidad de medida más grande, como galones o litros para el proceso de calibración y luego volver a la unidad de medida deseada.

Modo de enjuague (FLSH)

El uso del modo de enjuague le permite enjuagar el medidor sin agregar volumen a los totales medidos. Esto es útil cuando se realiza el enjuague del medidor para su almacenamiento o se cambie entre distintos líquidos y se desee mantener los totales precisos.

1. Presione los botones **[3]** y **[4]** durante 3 segundos. El medidor mostrará "FLSH".
2. Presione el botón **[2]** para volver al modo de operación normal.

Restablecimiento del total acumulado

1. Mantenga presionado los botones **[2]** y **[4]** durante 3 segundos. Se mostrará la versión de firmware actual.
2. Presione el botón **[ON]** para mostrar el total acumulado. Si es mayor que 9999 unidades, el total acumulado se desplazará por la pantalla.
3. Mantenga presionados los botones **[ON]** y **[4]** durante 5 segundos para restablecer el total acumulado.
4. Presione dos veces el botón **[2]** para volver al modo de operación normal.

Revisión del factor K

Puede revisar el factor de calibración interna del medidor. El valor mostrado es el número de conteos del sensor conforme a la unidad de medida seleccionada y el factor de líquido/CAL. *El fabricante puede solicitarle este número si se realiza la solución de problemas del medidor.*

1. Presione los botones **[3]** y **[4]** durante 3 segundos. El medidor mostrará "FLSH".
2. Mantenga presionado los botones **[ON]** y **[3]**. Se mostrará el número de conteos por unidad de medida.
3. Presione el botón **[2]** para volver al modo de operación normal.

Reemplazo de las pilas

Las pilas se deben reemplazar cuando el ícono LOW (Bajo) comience a parpadear en la pantalla. La calibración, la configuración y los totales se conservan mientras las pilas se reemplazan, de modo que no es necesario volver a calibrar posteriormente.



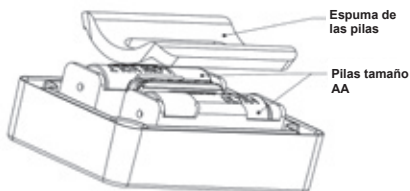
¡ADVERTENCIA!

Cuando cambie las pilas, elimine del área los vapores explosivos o traslade los elementos electrónicos del medidor a un área segura antes del reemplazo.

Para acceder a las pilas, retire la pantalla como se describe en la sección que muestra cómo girar la pantalla.

La espuma de las pilas se debe pegar a las pilas. Retírela cuidadosamente y vuelva a instalarla durante el montaje. La espuma de las pilas las protege y evita que se desconecten si el medidor se somete a una manipulación brusca.

Ponga atención a la polaridad de las pilas según está marcado en el interior del soporte de las pilas. El medidor no funcionará si las pilas se instalan incorrectamente y se pueden producir daños.



⚠ ¡ADVERTENCIA!

Para reducir el riesgo de explosión NO mezcle pilas antiguas con pilas nuevas, ni mezcle pilas de diferentes fabricantes.

Las pilas SOLO se pueden reemplazar por las siguientes:

- Duracell MN1500
- Energizer E91
- Duracell QU1500

Mantenimiento y almacenamiento

Si el medidor se va a almacenar durante un período prolongado sin uso y si se está usando con un líquido que puede dejar residuos, se debe enjuagar con un líquido compatible para evitar bloqueos o atascos del conjunto de turbina.

El exterior del medidor se puede limpiar con un detergente suave a base de agua y la pantalla se puede limpiar con un paño húmedo. *No utilice una hidrolavadora para limpiar el medidor.*

⚠ ¡IMPORTANTE!

El uso de aire comprimido CAUSARÁ daños permanentes en el medidor. Siempre use un chorro suave de un líquido compatible para enjuagar el interior del medidor.

Aspectos regulatorios

Aprobaciones de pruebas de seguridad

Los medidores de Fill-Rite de la serie TT10 han pasado pruebas de seguridad para cumplir los estándares establecidos por Underwriters Laboratories (UL), UL Canada, ATEX y otras organizaciones reguladoras. **Para determinar qué estándares específicos se aplican a su medidor en particular, consulte la placa frontal para ver la información y los logotipos de cumplimiento.**

MEDIDOR DE FLUJO PARA UBICACIONES PELIGROSAS, Exia INTRÍNSECAMENTE SEGURO (SECURITE INTRINSEQUE)

Class I, Group D, T4; Class I, Zone 0, AEx ia IIA T4 Ex ia IIA T4; IECEx UL 16.0147X; Ex ia IIA T4 Ga; -40°C < Ta < +60°C



Información de certificación CE

Los medidores de la serie TT10 que cuentan con la marca CE han recibido certificación conforme a las siguientes directivas europeas:

2011/65/EU: Restricción del uso de ciertas sustancias peligrosas en equipos electrónicos y eléctricos
2014/30/EU: Compatibilidad electromagnética

Los siguientes estándares se usan para probar y demostrar el cumplimiento:

Emisiones

EN 55011:2009/A1:2010 Grupo 1, Clase B, equipos industriales, científicos y médicos (ISM, por sus siglas en inglés)

Inmunidad

EN 61326-1:2013, Equipos eléctricos para medición, control y uso en laboratorios
IEC 61000-4-2: 2009 ESD
IEC 61000-4-3: 2006 A1:2008 & A2:2010 Inmunidad a campos radiados
IEC 61000-4-8: 2010 Campos magnéticos
EN 60079-0: 2012 + A11:2013
IEC 60079 Edición 6
EN 60079-11: 2012
IEC 60079-11 Edición 6
UL60079-0 Sexta edición
UL60079-11 Sexta edición
CAN/CSA - C22.2 N.º 157-92
CAN/CSA - C22.2 N.º 60079-0:2014
CAN/CSA - C22.2 N.º 60079-11:2015
UL 25
ULC/ORD-C25

Tabla 2: Guía de solución de problemas

Problema	Causa posible	Solución	Notas
El medidor no enciende	<ul style="list-style-type: none"> • Pilas agotadas • Elementos electrónicos dañados 	<ul style="list-style-type: none"> • Reemplace las pilas • Reemplace el medidor 	Si la pantalla se retira o perfora, el sello de los elementos electrónicos se dañará.
Decimales parpadeantes	El contador excedió las 9999 unidades	Mantenga presionado el botón [2] para restablecer la pantalla a cero	El medidor seguirá funcionando normalmente.
Ícono BAT parpadeante	Pilas bajas	Reemplace las pilas	Consulte la sección de reemplazo de pilas.
Fuga de líquido en el puerto de entrada o salida	<ul style="list-style-type: none"> • Se requiere sellador para roscas • El puerto tiene la rosca forzada 	<ul style="list-style-type: none"> • Agregue sellador en la unión • Reemplace el medidor 	
El líquido fluye, pero el medidor no es el correcto	<ul style="list-style-type: none"> • La turbina está atascada • Existe una falla del medidor 	<ul style="list-style-type: none"> • Enjuague el medidor • Reemplace el medidor 	
La lectura del medidor no es correcta	<ul style="list-style-type: none"> • Hay aire en el sistema • El medidor está instalado al revés • La viscosidad del líquido cambió • El factor de líquido/CAL es incorrecto • La calibración es deficiente 	<ul style="list-style-type: none"> • Asegúrese de que el medidor siempre esté lleno de líquido • Corrija la dirección de flujo del medidor • Use el factor de líquido/CAL correcto • Vuelva a calibrar 	El medidor contará el aire. Las viscosidades de los líquidos cambian con la temperatura.
El medidor no es consistente o repetible	<ul style="list-style-type: none"> • Hay aire en el sistema • El medidor está instalado al revés • Hay partículas en el líquido • La turbina está atascada • Trabaja fuera del rango de flujo del medidor 	<ul style="list-style-type: none"> • Asegúrese de que el medidor siempre esté lleno de líquido • Corrija la dirección de flujo del medidor • Enjuague el medidor • Coloque una rejilla delante del medidor • Trabaje dentro del rango de flujo del medidor 	Rejilla de entrada de malla 40 como mínimo
Err0	<ul style="list-style-type: none"> • Error de calibración • Es posible que el medidor tenga un desgaste excesivo 	<ul style="list-style-type: none"> • Vuelva a calibrarlo con un recipiente más preciso • Reemplace el medidor 	Indica que la calibración del líquido está fuera de un rango aceptable. Puede que el recipiente volumétrico no sea preciso o que haya aire en el sistema. Es posible que el medidor tenga un desgaste excesivo.
Err1	Los elementos electrónicos están dañados o hay un error de software	<ul style="list-style-type: none"> • Mantenga presionado el botón [2] para restablecer el contador y luego volver a calibrar el medidor • Reemplace el medidor 	
Err2	Eeprom defectuosa	Reemplace el medidor	El medidor sigue funcionando, pero se perderán los totales y la calibración si se retiran las pilas.

POLÍTICA DE GARANTÍA LIMITADA

Fecha de modificación: 1 de agosto de 2014

Productos Fill-Rite y Sotera

Tuthill Transfer Systems (en adelante el “Fabricante”) garantiza a cada comprador consumidor de sus productos (en adelante el “Comprador”), a partir de la fecha de la venta, que los productos fabricados por la empresa (en adelante los “Productos”) no presentarán defectos de materiales ni de fabricación.

La duración de la garantía es la siguiente:

Desde la fecha de venta	No debe superar el siguiente período desde la fecha de fabricación	Serie del producto	
Cinco años	60 meses	Bombas de la serie SP100	Bombas de la serie 400
Dos años	27 meses	Bombas y medidores para servicio pesado, medidores digitales 820, 825 y 850	Bombas de gabinete, medidores de gabinete, medidores TN, medidores TM, medidores TS
Un año	15 meses	Bombas y medidores para servicio estándar, bombas 1600	Accesorios Piezas

* Se debe presentar el comprobante de compra en el lugar de compra

** Consulte el Apéndice para ver la definición de productos “para servicio pesado” y “para servicio estándar”

Los usuarios finales deben comunicarse con el lugar donde compraron el producto para procesar una garantía. El “Lugar de compra” se define como cualquier distribuidor de TTS autorizado, como tiendas de venta minorista, empresas de ventas por correo, empresas de venta por catálogo, tiendas virtuales y distribuidores comerciales.

La obligación exclusiva del Fabricante, de acuerdo con las garantías anteriores, se limitará, según la opción del Fabricante, al reemplazo de los Productos defectuosos, (sujeto a las limitaciones que se indican más adelante) o al reembolso del valor de la compra de tales Productos pagados hasta entonces por el Comprador. El único recurso de los Compradores por el incumplimiento de cualquiera de estas garantías será el cumplimiento de tales obligaciones del Fabricante. Si el Fabricante solicita la devolución de tales Productos, estos se le reenviarán de acuerdo con las instrucciones de franco a bordo de la fábrica del Fabricante.

Los recursos que se indican en este documento constituirán el único recurso del Comprador contra el Fabricante por el incumplimiento de la garantía. **EN NINGÚN CASO LA RESPONSABILIDAD DEL FABRICANTE POR CUALQUIER RECLAMO POR DAÑOS QUE SURJAN DE LA FABRICACIÓN, VENTA, ENTREGA O USO DE LOS PRODUCTOS EXCEDERÁ EL VALOR DE LA COMPRA.**

Las garantías anteriores no se extenderán a los productos sujetos a un uso indebido, negligencia, accidente, mantenimiento o instalación incorrecta, o que hayan sido reparados por alguien que no sea el Fabricante o sus representantes autorizados. **LAS GARANTÍAS ANTERIORES SON EXCLUSIVAS Y REEMPLAZAN TODA OTRA GARANTÍA DE COMERCIABILIDAD, IDONEIDAD PARA UN PROPÓSITO DE CUALQUIER OTRO TIPO, YA SEA EXPRESA O IMPLÍCITA.** Ninguna persona podrá variar las garantías o recursos anteriores excepto por escrito y firmado por un trabajador debidamente autorizado por el Fabricante. La aceptación de la entrega de los Productos al Comprador constituye la aceptación de los recursos y las garantías anteriores, al igual que de todas las condiciones y limitaciones del presente documento.



Tuthill Corporation
8825 Aviation Drive | Fort Wayne, Indiana 46809
P (800) 634-265 | (260) 747-7524
F (800) 866-4681

www.tuthill.com

www.fillrite.com

www.sotera.com

Tuthill UK LTD.
Birkdale Close Manners Industrial Estate
Ilkeston, Derbyshire
DE7 8YA
UK
P +44 0 115 932 5226
F+44 0 115 932 4816





FILL-RITE®

Manuel d'utilisation et de sécurité Compteur à turbine en ligne TT10A



Chers clients Tuthill,

Merci d'avoir acheté un produit Tuthill. Tuthill représente une ère nouvelle dans le matériel de transfert et de mesure. Ce manuel contient des renseignements précieux concernant votre nouveau matériel et ses caractéristiques d'exploitation et d'entretien. Veuillez prendre quelques minutes à lire cette documentation avec attention.

La mission de Tuthill est de proposer des systèmes de manutention de liquides qui assurent des transferts les plus précis, sécurisés, pratiques et économiques possibles à des utilisateurs de carburants.

Si, pour quelque raison que ce soit, les performances de l'un quelconque de nos produits ne répondent pas à vos attentes, veuillez nous le faire savoir.

Vos commentaires et suggestions sont les bienvenus. Merci une fois encore d'avoir acheté un produit Tuthill. Nous sommes heureux d'être à votre service.

L'équipe Tuthill 1-800-634-2695



ATTENTION!

Porter un équipement de sécurité adapté pour manipuler des liquides dangereux.

Données techniques TT10A (carburants)

Raccords	Raccords d'entrée et de sortie femelles de 1 po NPT ou BSPP
Débit	7,6 à 132,5 l/min (2 à 35 gal U.S./min)
Pression d'exploitation	50 PSI (3,4 bar) MAX UL 300 PSI (20,7 bar) éclatement
Température d'entreposage	-40 °C à 60 °C (-40 °F à 176 °F) (sans liquide)
Température d'exploitation	-40 °C à 60 °C (-40 °F à 176 °F)
Précision de mesure	±1,0 % (après étalonnage de terrain)
Répétabilité des mesures	±0,30 % (tailles de lots ≥ 7,5 l [2 gal])
Unités de mesure	Once, chopine, quart, litre, gallon
Plage de totalisateur	0 à 90 000 000 unités
Plage de lot	0,00 à 9999 unités (<i>clignote lorsque le lot dépasse 9999</i>)
Matériaux moulés	Acier inoxydable 304/316, Aluminium Acétal, or
Affichage	-40 °C à 60 °C (-40 °F à 176 °F)
Alimentation	2 piles alcalines approuvées. Voir la section Remplacement des piles du manuel.
Mémoire	Les totaux et l'étalonnage du compteur sont préservés lorsque les piles sont changées.
Sécurité	Électronique à sécurité intrinsèque pour une utilisation dans les milieux dangereux.



Consignes de sécurité

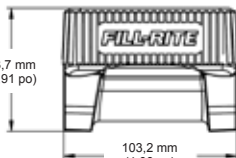
Pour assurer la sécurité et le bon fonctionnement du matériel, il est essentiel de lire et de respecter toutes les mises en garde et précautions suivantes.

1. Les carburants et produits chimiques s'écoulant à travers le compteur peuvent être dangereux pour la santé. L'utilisation et l'élimination de ces produits sont régies par les lois et directives en vigueur.
2. Respecter les procédures de manutention préconisées par le fabricant du liquide lors de l'utilisation du produit et du nettoyage du compteur.
3. Ne pas dépasser une pression interne du compte de 50 PSI (3,5 bar) pour les modèles TT10A et de 125 PSI (8,6 bar) pour les modèles TT10P.
4. Une utilisation ou une installation incorrecte de ce produit peut entraîner des blessures corporelles graves ou la mort.
5. Vérifier que la tuyauterie et les flexibles raccordés au compteur sont correctement mis à la terre durant le comptage ou l'utilisation à proximité de liquides inflammables.
6. **NE PAS** installer de clapet de pied ou antiretour supplémentaire sans une soupape de surpression, sous peine de rupture du compteur.
7. Pour éviter l'accumulation les décharges d'électricité statique, nettoyer avec un chiffon humide seulement.
8. Le corps du compteur est en alliage d'aluminium. Éviter les chocs ou ruptures sur le corps du compteur.

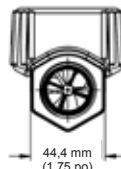
67,7 mm
(2,67 po)



73,7 mm
(2,91 po)



103,2 mm
(4,06 po)



44,4 mm
(1,75 po)

Description générale

Les compteurs série TT10 sont des compteurs électroniques à turbine utilisables dans les milieux dangereux et à des températures extrêmes.

Les compteurs TT10 comportent une électronique de pointe qui élimine les erreurs de mesure dans les applications à fortes vibrations et mobiles sans sacrifier sa capacité à mesurer aux bas débits.

Le compteur peut enregistrer et afficher la quantité mesurée en cours (total courant) ou la quantité mesurée cumulée (totalisateur) dans l'une des cinq unités sélectionnables par l'utilisateur (once, chopine, quart, litre ou gallon).

Le compteur est facile à ajuster en fonction du liquide à mesurer par la sélection d'un facteur d'étalonnage parmi 20 réglages possibles.

L'alimentation électrique est assurée par deux piles alcalines AA jetables.

Fluides / viscosités compatibles

Les compteurs série TT10A conviennent à la majorité des carburant de viscosité comprise entre 0,4 cSt et 79 cSt.

Il est possible de mesurer des liquides de viscosité supérieure à 79 cSt, mais la précision est alors limitée à débit d'étalonnage. Régler le compteur sur CAL 19 et suivre les instructions d'étalonnage figurant dans ce manuel.

En cas de doute sur la compatibilité d'un liquide particulier, communiquer avec le fournisseur du liquide pour confirmer l'absence de réactions contraires avec les matériaux indiqués dans la section Données techniques de ce manuel.

Liquides approuvés :

- Essence
- Diesel
- Kérosène
- Hexane
- Heptane
- Essences minérales
- Eau douce non potable

Installation

Conseil d'installation

Les excédents de ruban ou pâte d'étanchéité pour filetage en amont du compteur peuvent se détacher, obstruer ou entraver le rotor et provoquer une défaillance du compteur. L'utilisation de la quantité appropriée de pâte d'étanchéité est la méthode de pose préférentielle.

Utiliser du ruban ou de la pâte d'étanchéité compatible sur tous les raccords filetés.

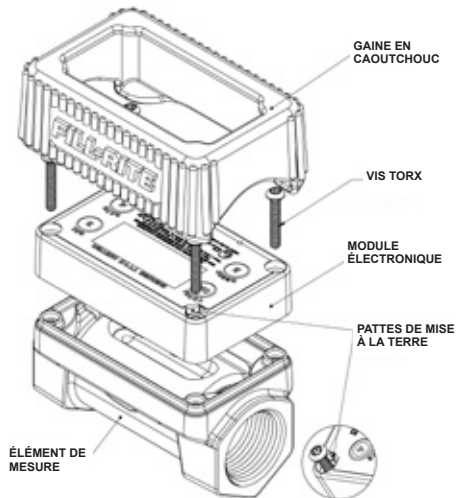
1. Déterminer le sens d'écoulement correct du liquide et pointer la flèche sur le dessous du corps de compteur dans ce sens. *La pose du compteur dans le mauvais sens d'écoulement entraverait fortement le fonctionnement du compteur.*

2. Visser le tuyau souple ou rigide à fond dans les raccords. Prendre garde de ne pas fausser le filetage ni de serrer excessivement le compteur.

Orientation du module électronique

L'affichage peut être orienté pour un écoulement de droite à gauche ou de gauche à droite.

1. Retirer la gaine protectrice en caoutchouc et la mettre de côté.
2. Déposer les 4 vis de fixation du module électronique à l'aide d'un tournevis Torx T-20.
3. Détacher le module et le tourner de 180°. Veiller à remettre le tampon en mousse correctement en place sous les piles le cas échéant. C'est essentiel pour éviter que les piles se délogent si le compteur est fortement secoué.
4. Remonter les 4 vis. Elles doivent être suffisamment serrées pour attacher fermement le module. Le couple de serrage recommandé est de 0,6 à 1,1 Nm (5 à 10 po-lb). *Un serrage excessif peut fissurer le module.*
5. Remonter la gaine protectrice en caoutchouc.



ATTENTION!

Lors du remontage des vis sur le module électronique, vérifier que les pattes de mise à la terre sont prises sous les têtes des vis. Cela assure la bonne mise à la terre et la protection contre les décharges d'électricité statique lors de la manipulation du compteur.

Fonctions d'exploitation

TOTAL ON	<ul style="list-style-type: none"> Met le compteur en marche. Affiche le total cumulé pendant qu'il est enfoncé. Si le total cumulé est supérieur à 9999, les chiffres défilent à l'écran par groupes de 4 chiffres.
RESET 2	Tenir enfoncé pendant 3 secondes pour remettre le total courant à zéro. Permet aussi de revenir au mode normal de fonctionnement depuis le mode CAL ou FLSH.
CAL 3	Tenir enfoncé pendant 3 secondes pour changer le liquide/facteur d'étalonnage affiché dans le coin inférieur gauche. Lorsqu'on appuie ensuite de façon répétée, la valeur augmente progressivement jusqu'à 19 puis revient à zéro. Lorsque la valeur souhaitée est affichée, appuyer sur la touche 2 pour valider la nouvelle valeur et revenir au fonctionnement normal. Voir les valeurs spécifiques à la Table 1.
RATE 4	Tenir enfoncé pendant 3 secondes jusqu'à afficher l'icône RATE. Le débit actif s'affiche. Appuyer de nouveau sur la touche 4 pour revenir au fonctionnement normal. Le compteur continue de cumuler le volume pendant que le débit est affiché.

REMARQUE

L'affiche du compteur s'éteint automatiquement au bout de 30 secondes d'inactivité pour économiser les piles. Il se rallume lorsque l'écoulement reprend ou que l'une des touches est enfoncée. Aucune donnée n'est perdue durant les périodes d'inactivité.

Changer l'unité de mesure

L'unité de mesure peut être changée en once (OZ), chopine (PT), quart (QT), gallon (GAL) ou litre (LITER) sans réétalonner le compteur.

- Tenir les touches **2** et **4** enfoncées pendant 3 secondes. L'écran affiche la version du micrologiciel.
- Appuyer sur la touche **3**. L'écran affiche l'unité de mesure courante.
- Pour changer d'unité, appuyer sur la touche **ON** de façon répétée jusqu'à afficher l'unité souhaitée.
- Appuyer sur la touche **2** pour valider le choix. L'écran affiche la version du micrologiciel.
- Pour revenir au mode normal de fonctionnement, appuyer de nouveau sur la touche **2**.
- L'unité sélectionnée est affichée. Le total courant ou cumulé est actualisé pour refléter la nouvelle unité de mesure.

Facteur d'étalonnage / type de liquide (CAL)

Les compteurs série TT10 présentent 20 facteurs prédéfinis pour différents types de liquide ou viscosités.

L'utilisation des facteurs d'étalonnage vise à offrir la solution de mesure la plus précise pour un liquide particulier. Le facteur d'étalonnage est de 0 pour les liquides les plus fluides et augmente avec la viscosité.

- Tenir la touche **3** enfoncée pendant 3 secondes. La valeur de mesure courante s'efface et seuls l'icône CAL et la valeur d'étalonnage en cours s'affichent.
- Lorsqu'on appuie de façon répétée sur la touche **3**, la valeur augmente progressivement jusqu'à 19 puis revient à zéro.
- Une fois que le facteur du liquide souhaité a été sélectionné, appuyer sur la touche **2** pour valider le facteur d'étalonnage et revenir au mode normal de fonctionnement du compteur.

Les facteurs CAL et viscosités indiqués dans la table ci-dessous correspondent à des liquides à 21 °C / 70 °F.

CAL	0	1	2	3	4	5	6	7	8	9
CS	0,36	0,48	0,63	0,84	1,12	1,48	1,98	2,62	3,48	4,62
Liquide	Heptane		Essence		Eau / FED		Essences minérales	Kérosène	Diesel	B100

CAL	10	11	12	13	14	15	16	17	18	19
CS	6,15	8,16	10,8	14,4	19,1	25,4	33,7	44,8	59,5	79,0
Liquide		Carburant aviation			Éthylène glycol				Propylène glycol	Huile 10W-30 / liquide de boîte

Table 1 : Table des facteurs CAL

REMARQUE

L'utilisation du facteur CAL est indépendante de l'exécution d'un étalonnage à un volume connu. Le compteur est étalonné en usine, mais un étalonnage sur le terrain peut améliorer encore la précision de mesure.

Étalonnage de liquide

L'étalonnage de liquide nécessite un récipient de volume connu de 20 litres (ou 5 gallons) ou plus qui est compatible avec le liquide à mesurer.

Un volume plus important peut être utilisé pour améliorer la précision de l'étalonnage, mais veiller à ne pas dépasser 99,99 unités de mesure.

REMARQUE

Avant d'effectuer un étalonnage de liquide, veiller à avoir sélectionné le facteur CAL/type de liquide le proche pour assurer une précision optimale du compteur.

1. Tenir les touches **[2]** et **[4]** enfoncées pendant 3 secondes. L'écran affiche la version du micrologiciel.
2. Appuyer sur la touche **[3]** pour accéder au mode d'étalonnage. L'unité de mesure est affichée.
3. Appuyer sur la touche **[3]**. L'écran affiche « FILL ».
4. Pomper le liquide dans le récipient. « FILL » clignote à l'écran lorsque l'écoulement est détecté.
5. Après avoir rempli le récipient de liquide, appuyer sur la touche ON. Le chiffre de gauche clignote (00.00).
6. Appuyer sur la touche **[4]** pour régler la valeur sur la quantité de liquide effectivement distribuée (exemple : 05.00). Appuyer sur la touche **[ON]** pour se déplacer vers la droite. En cas d'erreur, appuyer sur la touche **[2]** pour recommencer avec le chiffre de gauche.
7. Après avoir chargé une valeur, appuyer de nouveau sur la touche **[ON]** pour valider le volume saisi.
8. L'écran affiche à présent le facteur CAL configuré.
9. Appuyer de nouveau sur la touche **[ON]** et la version du micrologiciel s'affiche.
10. Appuyer de nouveau sur la touche **[2]** pour revenir au mode normal de fonctionnement.

REMARQUE

Si la valeur saisie est en dehors des limites admissibles, l'écran affiche « Err0 » et le compteur revient aux réglages antérieurs. Pour plus de renseignements, voir le Guide de dépannage.

CONSEIL

Si l'unité de mesure sélectionnée est l'once, la chopine ou le quart, il peut être plus facile de régler le compteur sur une unité plus grande telle que le gallon ou le litre pour les besoins de l'étalonnage, puis de revenir à l'unité de mesure souhaitée.

Mode de purge (FLSH)

Le mode de purge permet de purger le compteur sans ajouter de volume aux totaux cumulés. C'est utile lors du rinçage du compteur avant son entreposage ou lors des changements de liquides si on souhaite conserver des totaux exacts.

1. Tenir les touches **[3]** et **[4]** enfoncées pendant 3 secondes. Le compteur affiche « FLSH ».
2. Appuyer sur la touche **[2]** pour revenir au mode normal de fonctionnement.

Remettre le total cumulé à zéro

1. Tenir les touches **[2]** et **[4]** enfoncées pendant 3 secondes. La version actuelle du micrologiciel s'affiche.
2. Appuyer sur la touche **[ON]** pour afficher le total cumulé. Si la valeur est supérieure à 9999 unités, le total cumulé défile à l'écran.
3. Tenir les touches **[ON]** et **[4]** enfoncées pendant 5 secondes pour remettre le total cumulé à zéro.
4. Appuyer deux fois sur la touche **[2]** pour revenir au mode normal de fonctionnement.

Vérifier le facteur K

Il est possible de vérifier le facteur d'étalonnage interne du compteur. La valeur affichée est le nombre d'unités de comptage du capteur par unité de mesure et facteur CAL/ type de liquide sélectionnés. *Le fabricant peut demander cette valeur lors du dépannage du compteur.*

1. Tenir les touches **[3]** et **[4]** enfoncées pendant 3 secondes. Le compteur affiche « FLSH ».
2. Tenir les touches **[ON]** et **[3]** enfoncées simultanément. Le nombre d'unités de comptage par unité de mesure s'affiche.
3. Appuyer sur la touche **[2]** pour revenir au mode normal de fonctionnement.

Remplacement des piles

Les piles doivent être changées lorsque l'icône de décharge des piles clignote à l'écran. Les totaux, la configuration et l'étalonnage du compteur sont conservés lorsque les piles sont changées, il n'est donc pas nécessaire de le réétalonner.



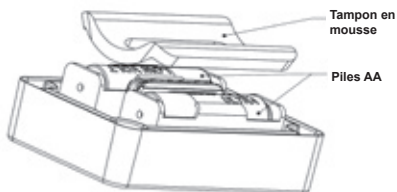
AVERTISSEMENT!

Pour changer les piles, s'assurer de l'absence de toute vapeur explosive ou amener préalablement le module électronique du compteur dans un milieu sans danger.

Pour accéder aux piles, démonter l'affichage comme indiqué dans la section Orientation du module électronique.

Le tampon en mousse peut adhérer aux piles. Le retirer avec précaution et le remettre en place au remontage. Le tampon en mousse protège les piles et les batteries et les empêche de se déloger si le compteur est fortement secoué.

Veiller à bien respecter la polarité indiquée à l'intérieur du logement des piles. Le compteur ne fonctionne pas et des dommages sont possibles si les piles ne sont pas si les piles sont installées correctement.



AVERTISSEMENT!

Pour réduire le risque d'explosion, NE PAS combiner des piles usagées avec des piles neuves ni combiner des piles de marques différentes.

Les piles devront être remplacées par les modèles suivants SEULEMENT :

- Duracell MN1500
- Energizer E91
- Duracell QU1500

Entretien et entreposage

Si le compteur doit être entreposé pendant une durée prolongée d'inutilisation et qu'il a été utilisé avec un liquide susceptible de laisser un résidu, il doit être rincé avec un liquide compatible pour éviter le blocage et le grippage de la turbine.

L'extérieur du compteur peut être essuyé avec un chiffon humide et un détergent doux à l'eau pour nettoyer l'affichage.

Ne pas utiliser de nettoyeur haute pression sur le compteur.



IMPORTANT!

L'utilisation d'air comprimé **PROVOQUERA** des dommages permanents au compteur. Toujours utiliser un faible jet de liquide compatible pour rincer l'intérieur du compteur.

Réglementation

Homologations de sécurité

Les compteurs série TT10 ont été testés en conformité aux normes établies par Underwriters Laboratories (UL), UL Canada, ATEX et d'autres organismes de vérification. **Pour déterminer les conformités spécifiques de ce compteur particulier, voir les indications et les logos de conformité sur la face de l'appareil.**

DÉBITMÈTRE POUR MILIEUX DANGEREUX Exia SÉCURITÉ INTRINSÈQUE

Class I, Group D, T4; Class I, Zone 0, AEx ia IIA T4 Ex ia IIA T4; IECEx UL 16.0147X; Ex ia IIA T4 Ga; -40°C < Ta < +60°C



II 1G
Ex ia IIA T4 Ga

DEMKO 16 ATEX 1787X



Informations sur la certification CE

Les compteurs série TT10 portant la marque CE ont été certifiés conformes aux directives européennes suivantes :

2011/65/UE : Limitation de l'utilisation de certaines substances dangereuses dans les équipements électriques et électroniques. 2014/30/UE : Compatibilité électromagnétique

Les normes suivantes ont été utilisées pour tester et démontrer la conformité :

Émissions

EN 55011:2009/A1:2010 Groupe 1, Classe B, Appareils industriels, scientifiques et médicaux

Immunité

EN 61326-1:2013, Matériels électriques de mesure, de commande et de laboratoire
CEI 61000-4-2: 2009 Décharges électrostatiques
CEI 61000-4-3: 2006 A1:2008 et A2:2010 Immunité aux champs électromagnétiques rayonnés
CEI 61000-4-8: 2010 Champ magnétique
EN 60079-0: 2012 + A11:2013
CEI 60079 6ème édition
EN 60079-11: 2012
CEI 60079-11 6ème édition
UL60079-0 Sixième édition
UL60079-11 Sixième édition
CAN/CSA - C22.2 n° 157-92
CAN/CSA - C22.2 n° 60079-0:2014
CAN/CSA - C22.2 n° 60079-11:2015
UL 25
ULC/ORD-C25

Table 2 : Guide de dépannage

Problème	Cause possible	Solution	Remarques
Le compteur ne s'allume pas	<ul style="list-style-type: none"> • Piles déchargées • Module électronique endommagé 	<ul style="list-style-type: none"> • Changer les piles • Changer le compteur 	Le module électronique perd son étanchéité si l'affichage l'affichage est démonté ou percé.
Les décimales clignotent	Le compteur a dépassé 9999 unités	Tenir la touche [2] enfoncée pour remettre l'affichage à zéro.	Le compteur continue de fonctionner normalement.
Icône BAT clignotant	Piles déchargées	Changer les piles	Voir la section Remplacement des piles.
Fuite de liquide au niveau du raccord d'entrée/sortie	<ul style="list-style-type: none"> • Mauvaise étanchéité du filetage • Filetage du raccord faussé 	<ul style="list-style-type: none"> • Étanchéifier le raccord • Changer le compteur 	
Passage de liquide mais mesure incorrecte	<ul style="list-style-type: none"> • Turbine bloquée • Défaillance du compteur 	<ul style="list-style-type: none"> • Purger le compteur • Changer le compteur 	
Mesure du compteur incorrecte	<ul style="list-style-type: none"> • Air dans le circuit • Compteur monté à l'envers • La viscosité du liquide a changé • Facteur CAL incorrect • Mauvais étalonnage 	<ul style="list-style-type: none"> • Vérifier que le compteur est toujours rempli de liquide • Rectifier le sens d'écoulement du compteur • Utiliser le facteur CAL correct • Réétalonner 	Le compteur est capable de mesurer de l'air. Les viscosités varient avec la température.
Le comptage n'est pas régulier / répétable	<ul style="list-style-type: none"> • Air dans le circuit • Compteur monté à l'envers • Particules dans le liquide • Turbine encrassée • Utilisation en dehors de la plage de débit du compteur 	<ul style="list-style-type: none"> • Vérifier que le compteur est toujours rempli de liquide • Rectifier le sens d'écoulement du compteur • Purger le compteur • Prévoir un tamis en amont du compteur • Utiliser dans la plage de débit du compteur 	Tamis d'admission de maille 40 minimum
Err0	<ul style="list-style-type: none"> • Erreur d'étalonnage • Usure excessive du compteur 	<ul style="list-style-type: none"> • Réétalonner avec un récipient plus précis • Changer le compteur 	Indique que l'étalonnage de liquide est en dehors la plage admissible. Le récipient volumétrique n'est pas précis ou il y a de l'air dans le circuit. Le compteur peut être excessivement usé.
Err1	Électronique endommagée ou erreur logicielle	<ul style="list-style-type: none"> • Tenir la touche [2] enfoncée pour remettre le compteur à zéro puis réétalonner • Changer le compteur 	
Err2	EEPROM défectueuse	Changer le compteur	Le compteur fonctionne toujours mais les totaux et l'étalonnage sont perdus si les piles sont retirées.

GARANTIE LIMITÉE

Date de révision : 1er août 2014

Produits Fill-Rite et Sotera

Tuthill Transfer Systems (le « fabricant ») garantit à chaque acheteur-consommateur de ses produits (l'« acheteur ») à compter de la date d'achat que les marchandises de sa fabrication (les « marchandises ») sont exemptes de défauts de pièces et de main-d'œuvre.

La durée de la garantie est la suivante :

À compter de la date d'achat	Délai à ne pas dépasser à compter de la date de fabrication	Série de produits	
Cinq ans	60 mois	Pompes série SP100	Pompes série 400
Deux ans	27 mois	Pompes et compteurs pour service intensif, compteurs 820, 825 et 850	Pompes sous boîtier, compteurs sous boîtier, compteurs TN, compteurs TM, compteurs TS
Un an	15 mois	Pompes et compteurs pour service normal, pompes 1600	Accessoires Pièces

* un justificatif d'achat doit être présenté au lieu d'achat

** voir la définition des produits pour « service intensif » et « service normal » en annexe

Pour recourir à la garantie, les utilisateurs doivent s'adresser au lieu d'achat du produit. Par définition, le « lieu d'achat » est tout distributeur TTS agréé, notamment commerces de détail, sociétés de vente par correspondance et par catalogue, magasins en ligne et distributeurs commerciaux.

La seule obligation du fabricant en vertu des garanties susmentionnées est limitée, au choix du fabricant, soit au remplacement des marchandises défectueuses (sous réserve des limites prévues ci-après), soit au remboursement du prix d'achat payé par l'acheteur pour ladite marchandise et le seul recours de l'acheteur en cas de violation des présentes garanties est l'exécution des obligations du fabricant. Si le fabricant demande le renvoi des marchandises, celles-ci doivent être réexpédiées au fabricant FAB usine conformément aux instructions du fabricant.

Les dispositions prévues aux présentes constituent le seul recours de l'acheteur contre le fabricant en cas de violation de la garantie. **LA RESPONSABILITÉ DU FABRICANT POUR TOUTE DEMANDE EN DOMMAGES-INTÉRÊTS RÉSULTANT DE LA FABRICATION, LA VENTE, LA LIVRAISON OU L'UTILISATION DES MARCHANDISES NE SAURAIT EN AUCUN CAS EXCÉDER LE PRIX D'ACHAT.**

Les garanties précédentes ne couvrent pas les marchandises ayant fait l'objet d'un emploi abusif, de négligence, d'un accident, d'une installation ou d'un entretien incorrects ou qui ont été réparées par quiconque autre que le fabricant ou ses représentants autorisés. **LES GARANTIES PRÉCÉDENTES SONT EXCLUSIVES ET REMPLACENT TOUTES LES AUTRES GARANTIES DE QUALITÉ MARCHANDE, D'ADAPTATION À TOUTE AUTRE FIN, QU'ELLES SOIENT EXPRESSES OU IMPLICITES.** Personne n'est autorisé à modifier les garanties ou recours définis aux présentes, sauf par écrit et signé par un représentant dûment autorisé du fabricant. L'acceptation par le consommateur de la livraison des marchandises constitue son consentement aux dispositions des garanties et recours ci-dessus et de toutes les conditions et limites associées.



Tuthill Corporation
8825 Aviation Drive | Fort Wayne, Indiana 46809
P (800) 634-265 | (260) 747-7524
F (800) 866-4681

www.tuthill.com

www.fillrite.com

www.sotera.com

Tuthill UK LTD.
Birkdale Close Manners Industrial Estate
Ilkeston, Derbyshire
DE7 8YA
UK
P +44 0 115 932 5226
F+44 0 115 932 4816





FILL-RITE®

Betriebs- und Sicherheitsanleitung TT10A Inline-Turbinenradzähler



Sehr geehrter Tuthill-Kunde

Vielen Dank für den Kauf eines Tuthill-Produktes. Tuthill leitet ein neues Zeitalter für Transfer- und Zählerprodukte ein. Dieses Handbuch enthält wertvolle Informationen über Ihr neues Gerät und dessen Betriebs- und Wartungsanforderungen. Nehmen Sie sich bitte einige Minuten Zeit, um diese Unterlagen sorgfältig zu studieren.

Tuthills Ziel ist die Bereitstellung von Flüssigkeitsumschlagsystemen, die die genauesten, sichersten, praktischsten und wirtschaftlichsten Transfersysteme für Kraftstoffbenutzer sind.

Sollte eines der Produkte Ihre Leistungserwartungen aus irgendeinem Grund nicht erfüllen, lassen Sie uns das bitte wissen.

Wir freuen uns über Ihre Kommentare und Vorschläge. Nochmals vielen Dank für den Kauf eines Tuthill-Produktes. Wir freuen uns Sie auch in Zukunft beliefern zu können.

The Tuthill Team 1-800-634-2695



Sicherheitsanweisungen

Zur Gewährleistung der sicheren und wirkungsvollen Funktionsweise müssen alle nachfolgenden Warnungen und Vorsichtsmaßnahmen gelesen und befolgt werden.

1. Kraftstoffe und Chemikalien, die durch den Zähler strömen, können Ihre Gesundheit gefährden. Die Verwendung und Entsorgung dieser Produkte ist durch gesetzliche Bestimmungen, Vorschriften und Verfahrensweisen geregelt.
2. Bei der Verwendung des Produktes und bei der Reinigung des Zählers sind die vom Flüssigkeitshersteller empfohlenen Handhabungs- und Umschlagverfahren einzuhalten.
3. Der Zählerinnendruck darf bei den Modellen TT10A 3,5 bar (50 PSI) und bei den Modellen TT10P 8,6 bar (125 PSI) nicht überschreiten.
4. Unsachgemäßer Einbau oder Einsatz dieses Produktes kann zu schweren oder tödlichen Verletzungen führen!
5. Sicherstellen, dass an den Zähler angeschlossene Rohrleitungen und Schläuche bei der Dosierung von oder Verwendung in der Nähe von entzündlichen Flüssigkeit vorschriftsmäßig geerdet sind.
6. **KEINESFALLS** zusätzliche Fußventile oder Rückschlagventile ohne ein Druckentlastungsventil einbauen, da der Zähler dadurch bersten könnte.
7. Um den Aufbau von elektrostatischer Ladung zu vermeiden, nur mit einem feuchten Lappen reinigen.
8. Das Zählergehäuse besteht aus einer Aluminiumlegierung. Schläge auf das Zählergehäuse oder ein Brechen dieses vermeiden.

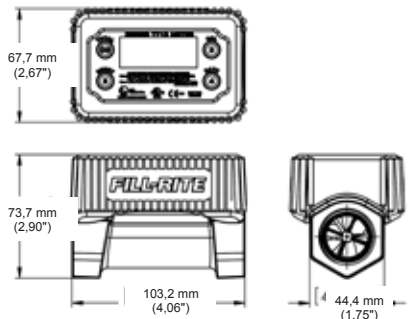


VORSICHT!

Beim Umschlag gefährlicher Flüssigkeiten angemessene Schutzausrüstung tragen.

TT10A (Kraftstoffe) Technische Daten

Durchflussanschlüsse	1 Zoll NPT oder BSPP Innengewinde, Einlass- und Auslassanschlüsse
Durchflussbereich	7,6 bis 132,5 l/min / 2 bis 35 gal/min
Arbeitsdruck	3,4 bar (50 psi) max. UL 20,7 bar (300 psi) (Bersten)
Lagertemperatur	-40 °C bis 60 °C (-40 °F bis 176 °F) (Keine Flüssigkeiten)
Betriebs-temperatur	-40 °C bis 60 °C (-40 °F bis 176 °F)
Messgenauigkeit	±1,0 % (nach der Eichung vor Ort)
Wiederholbarkeit der Messung	±0,30 % (Chargengröße ≥ 7,5 l)
Maßeinheiten	US-Unze, US-Pints, US-Quart, Liter, US-Gallonen
Zählerbereich	0 – 90.000.000 Einheiten
Chargenbereich	0,00 – 9999 Einheiten (<i>blinkt, wenn Charge größer als 9999 ist</i>)
Benetzte Werkstoffe	Edelstahl 1.4301/1.4401, Aluminiumacetat, Gold
Anzeige	-40 °C bis 60 °C (-40 °F bis 176 °F)
Stromversorgung	2 zugelassene Alkalibatterien. Siehe Abschnitt „Batteriewechsel“ im Handbuch.
Speicher	Zählersummen und Eichung bleiben während des Batteriewechsels erhalten.
Sicherheit	Eigensichere Elektronik für den Einsatz in Gefahrenzonen.



Allgemeine Beschreibung

Die Zähler der Serie TT10 sind elektronische Turbinenradzähler für den Einsatz in Gefahrenzonen und bei extremen Temperaturen.

Die Zähler TT10 verfügen über fortschrittliche Elektronik, die falsche Zählwerte bei hohen Vibrationen und bei mobilen Anwendungen eliminiert, ohne dabei die Fähigkeit der Dosierung bei geringer Durchflussrate zu verlieren.

Der Zähler kann die derzeit abgegebene Menge (Chargensumme) oder den kumulativ abgegebenen Wert (Summierer) in einer von fünf auswählbaren Maßeinheiten (US-Unzen, US-Pints, US-Quarts, Liter, US-Gallonen) speichern und anzeigen.

Der Zähler kann einfach auf andere Flüssigkeiten umgestellt werden, indem unter den 20 Einstellungen ein Eichfaktor ausgewählt wird.

Das Gerät wird mit zwei austauschbaren Alkalibatterien der Größe AA versorgt.

Flüssigkeits-/Viskositätsverträglichkeit

Die Zähler der TT10A Serie sind für die meisten Kraftstoffe mit Viskositäten zwischen 0,4 cSt und 79 cSt geeignet.

Es können Flüssigkeiten gezählt werden, die eine Viskosität von mehr als 79 cSt haben, dabei ist die Genauigkeit jedoch auf die Eichungsdurchflussrate begrenzt. Den Zähler auf CAL 19 einstellen und den in diesem Handbuch beschriebenen Eichvorgang befolgen.

Wenn die Verträglichkeit einer bestimmten Flüssigkeit nicht gesichert ist, den Flüssigkeitslieferanten kontaktieren und nach nachteiligen Reaktionen mit den im Abschnitt „Technische Daten“ dieses Handbuchs angegebenen Werkstoffen fragen.

Zugelassene Flüssigkeiten:

- Benzin
- Diesel
- Kerosin
- Hexan
- Heptan
- Mineralbeizen
- Nicht trinkbares Frischwasser

Montage

Tipps zur Montage

Überschüssiges Dichtband oder Gewindedichtmittel strömungsaufwärts vom Zähler kann losbrechen und einen Stau verursachen bzw. das Turbinenrad verklemmen und einen Zählerausfall verursachen. Die bevorzugte Montagemethode muss mit einer geeigneten Menge Gewindegewindesicherungsmittel durchgeführt werden.

An allen Schraubverbindungen ein verträgliches Dichtband oder Gewindedichtmittel verwenden.

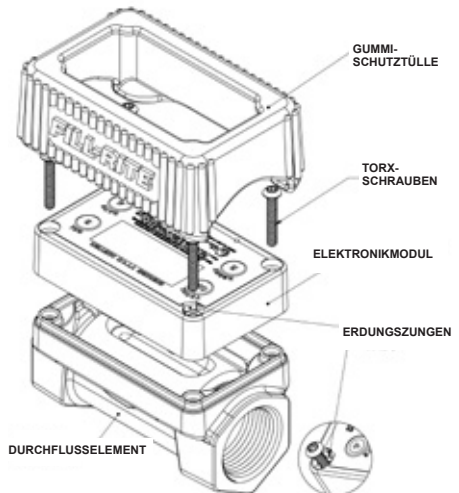
1. Die richtige Strömungsrichtung der Flüssigkeit ermitteln und den Pfeil auf der Unterseite des Zählergehäuses in diese Richtung richten. *Wenn der Zähler in der falschen Strömungsrichtung montiert wird, beeinträchtigt dies die Leistung des Zählers beachtlich.*

2. Den Schlauch oder die Rohrleitung handfest in die Anschlüsse drehen. Darauf achten, dass die Gewinde nicht verkratet angesetzt werden und der Zähler zu fest angezogen wird.

Ausrichtung des Elektronikmoduls

Die Anzeige kann für Durchfluss von rechts nach links oder links nach rechts angeordnet werden.

1. Die Gummi-Schutztülle abziehen und zur Seite legen.
2. Die 4 Schrauben am Elektronikmodul mit einem T20 Torx-Schraubendreher entfernen.
3. Das Modul abnehmen und um 180° drehen. Darauf achten, dass der Schaumstoffpolster unter den Batterien korrekt eingesetzt wird, falls dieser herausfällt. Das ist entscheidend dafür, dass die Batterien nicht verrutschen, wenn mit dem Zähler grob umgegangen wird.
4. Die 4 Schrauben wieder anbringen. Sie müssen ausreichend festgezogen werden, damit das Modul komplett sitzt. Das empfohlene Anzugsmoment ist 0,6 – 1,1 Nm (5-10 in-lbs). *Bei zu starkem Festziehen kann das Modul bersten.*
5. Die Gummi-Schutztülle wieder anbringen.



⚠ VORSICHT!

Beim erneuten Anbringen der Schrauben für das Elektronikmodul darauf achten, dass die Erdungsszungen unter den Schraubenköpfen aufgenommen werden. Das sorgt für vorschriftsmäßige Erdung und Schutz vor statischer Entladung beim Umgang mit dem Zähler.

Betriebsfunktionen

TOTAL ON	<ul style="list-style-type: none"> Schaltet den Zähler ein. Zeigt beim Drücken die kumulative Summe an. Wenn die kumulative Summe größer als 9999 ist, laufen die Ziffern in Gruppen von 4 quer über das Display.
RESET 2	Wenn sie länger als 3 Sekunden gedrückt gehalten wird, wird die aktuelle Summe genullt. Dadurch wird im Modus CAL oder FLSH auch der normale Betriebsmodus wieder hergestellt.
CAL 3	Wenn sie 3 Sekunden lang gedrückt gehalten wird, wird zum CAL-Faktor (Eichfaktor/ Flüssigkeitsfaktor) gewechselt, der unten links angezeigt wird. Wiederholtes Drücken erhöht die Zahl um jeweils 1 bis 19 und kehrt danach zu 0 zurück. Wenn die gewünschte Zahl angezeigt wird, die Taste [2] drücken, um die neue Zahl zu übernehmen und wieder zum normalen Betrieb zurückzukehren. In Tabelle 1 sind genauere Einzelheiten angegeben.
RATE 4	Wenn sie 3 Sekunden lang gedrückt gehalten wird, wird das Symbol RATE angezeigt. Es wird die aktive Durchflussrate angezeigt. Die Taste [4] noch einmal drücken, um zum normalen Betriebsmodus zurückzukehren. Der Zähler wird weiter Volumen zählen, während die Durchflussrate angezeigt wird.

HINWEIS

Nach 30 Sekunden Inaktivität verdunkelt sich das Zähler-Display, um Batteriestrom zu sparen. Es aktiviert sich wieder, wenn wieder Durchfluss festgestellt oder eine Taste gedrückt wird. Während inaktiver Perioden gehen keine Daten verloren.

Wechseln der Maßeinheiten

Folgende Maßeinheiten können ohne Neueichung des Zählers eingestellt werden: US-Unzen (OZ), US-Pints (PT), US-Quarts (QT), US-Gallonen (GAL) Liter (LITER).

- Die Tasten **[2]** und **[4]** drei Sekunden lang gedrückt halten. Das Display zeigt die Firmware-Version an.
- Die Taste **[3]** drücken. Das Display zeigt die derzeitige Maßeinheit an.
- Zum Ändern der Maßeinheit die Taste **[ON]** solange drücken, bis die gewünschte Maßeinheit angezeigt wird.
- Die Taste **[2]** drücken, um die Auswahl zu übernehmen. Das Display zeigt die Firmware-Version an.
- Die Taste **[2]** noch einmal drücken, um wieder zum normalen Betriebsmodus zurückzukehren.
- Die ausgewählte Maßeinheit wird angezeigt. Die derzeitige oder kumulative Summe ändert sich, um die neue Maßeinheit zu berücksichtigen.

Eichungs-/Flüssigkeitstypfaktor (CAL) drücken

Die Zähler der Serie TT10 verfügen über 20 gespeicherte Faktoren für verschiedene Flüssigkeitstypen/Viskositäten.

Die Eichungsfaktoren ergeben die genaueste Zählerlösung für eine bestimmte Flüssigkeit. Ein CAL-Faktor 0 dient für Flüssigkeiten mit niedrigster Viskosität und höhere Faktoren für Flüssigkeiten mit höherer Viskosität.

- Die Taste **[3]** drei Sekunden lang gedrückt halten. Der derzeit abgegebene Zählerwert verschwindet und nur das Symbol CAL und der derzeitige Wert werden angezeigt.
- Wiederholtes Drücken der Taste **[3]** erhöht die Zahl um jeweils 1 bis 19 und kehrt danach zu 0 zurück.
- Nachdem der gewünschte Flüssigkeitsfaktor ausgewählt wurde, die Taste **[2]** drücken, um diesen Faktor zu übernehmen und den Zähler wieder in den normalen Betriebsmodus zurückzuschalten.

Die in der Tabelle unten enthaltenen CAL-Faktoren und Viskositäten gelten für Flüssigkeiten bei 21 °C (79 °F).

Cal	0	1	2	3	4	5	6	7	8	9
cSt	0,36	0,48	0,63	0,84	1,12	1,48	1,98	2,62	3,48	4,62
Flüssigkeit	Heptan		Benzin		Wasser/DEF		Mineralbeizen	Kerosin	Diesel	B100

Cal	10	11	12	13	14	15	16	17	18	19
cSt	6,15	8,16	10,8	14,4	19,1	25,4	33,7	44,8	59,5	79,0
Flüssigkeit		Düsentreibstoff			Ethylenglykol				Propylenglykol	10W-30 Öl / ATF

Tabelle 1: Tabelle der CAL-Faktoren

HINWEIS

Die Verwendung des CAL-/Flüssigkeitsfaktors erfolgt unabhängig von der Durchführung einer Eichung gegen ein bekanntes Volumen. Der Zähler wird im Wert geeicht. Durch eine Eichung vor Ort kann die Zähler-Genauigkeit jedoch weiter erhöht werden.

Flüssigkeitseichung

Für die Flüssigkeitseichung wird ein Behälter mit bekanntem Volumen von mindestens 19 l benötigt, der mit der dosierten Flüssigkeit verträglich ist.

Es kann ein größeres Volumen verwendet werden, das die Genauigkeit der Eichung verbessern kann. Es dürfen jedoch nicht 99,99 Maßeinheiten überschritten werden.

HINWEIS

Vor dem Durchführen einer Flüssigkeitseichung ist sicherzustellen, dass der am besten passende CAL-/Flüssigkeitsfaktor ausgewählt wird, um die beste Zähler-Genauigkeit zu gewährleisten.

1. Die Tasten **[2]** und **[4]** gemeinsam 3 Sekunden lang gedrückt halten. Das Display zeigt die Firmware-Version an.
2. Die Taste **[3]** drücken, um den Eichmodus aufzurufen. Die Maßeinheit wird angezeigt.
3. Die Taste **[3]** drücken. Auf dem Display erscheint „FILL“.
4. Nun Flüssigkeit in den Behälter abgeben. „FILL“ blinkt auf dem Display, wenn Durchfluss erkannt wird.
5. Nach der Abgabe drücken Sie noch einmal die Taste **ON** (EIN). Die linke Display-Stelle blinkt. („00.00“)
6. Die Taste **[4]** drücken, um die Stelle auf die Menge abgegebener Flüssigkeit zu erhöhen (Beispiel: „05.00“). Die Taste **ON** drücken, um zur nächsten Stelle nach rechts zu gelangen. Wenn Sie einen Fehler machen, die Taste **[2]** drücken, um wieder mit der Stelle ganz links zu beginnen.
7. Nachdem die Zahl geladen wird, die Taste **ON** noch einmal drücken, um das eingegebene Volumen zu übernehmen.
8. Auf dem Display wird nun der konfigurierte CAL-Faktor angezeigt.
9. Die Taste **ON** noch einmal drücken. Es wird wieder die Firmware-Version angezeigt.
10. Noch einmal die Taste **[2]** drücken, um zum normalen Betriebsmodus zurückzukehren.

HINWEIS

Wenn der eingegebene Wert außerhalb des zulässigen Bereichs liegt, erscheint am Display „Err0“ und der Zähler kehrt zu den vorherigen Einstellungen zurück. Weitere Informationen sind in der Anleitung zur Störungsbeseitigung zu finden.

TIPP

Wenn in US-Unzen, US-Pints oder US-Quarts gemessen wird, kann es einfacher sein, den Zähler für die Eichung auf eine größere Maßeinheit wie US-Gallonen oder Liter umzuschalten und danach wieder zur gewünschten Maßeinheit zurück zu wechseln.

Spülmodus (FLSH)

Mit dem Spülmodus kann der Zähler gespült werden, ohne der Zählersumme Volumen hinzuzufügen. Das ist beim Spülen des Zählers vor der Lagerung oder beim Wechseln zwischen verschiedenen Flüssigkeiten von Vorteil, wenn exakte Summenwerte beibehalten werden sollen.

1. Die Tasten **[3]** und **[4]** drei Sekunden lang gedrückt halten. Auf dem Zähler-Display erscheint „FLSH“.
2. Die Taste **[2]** drücken, um zum normalen Betrieb zurückzukehren.

Zurücksetzen der kumulativen Summe

1. Die Tasten **[2]** und **[4]** drei Sekunden lang gedrückt halten. Es wird die derzeitige Firmware-Version angezeigt.
2. Die Taste **ON** drücken, um die Gesamtsumme anzuzeigen. Wenn der Wert höher als 9999 ist, blättert die Gesamtsumme über das Display.
3. Die Tasten **ON** und **[4]** gemeinsam 5 Sekunden lang gedrückt halten, um die kumulative Summe zurückzusetzen.
4. Die Taste **[2]** zweimal drücken, um zum normalen Betriebsmodus zurückzukehren.

Prüfung des K-Faktors

Der interne Eichfaktor des Zählers kann geprüft werden. Der angezeigte Wert ist die Anzahl der Sensorzählwerte pro ausgewählter Maßeinheit und beim ausgewählten CAL-/Flüssigkeitsfaktor. *Werkspersonal kann bei der Fehlersuche am Zähler nach diesem Wert fragen.*

1. Die Tasten **[3]** und **[4]** drei Sekunden lang gedrückt halten. Auf dem Zähler-Display erscheint „FLSH“.
2. Die Tasten **ON** und **[3]** gemeinsam gedrückt halten. Die Anzahl der Zählwerte pro Maßeinheit wird angezeigt.
3. Die Taste **[2]** drücken, um zum normalen Betrieb zurückzukehren.

Batteriewechsel

Die Batterien müssen gewechselt werden, wenn das Batteriesymbol LOW auf dem Display zu blinken beginnt. Die Zählersummen, Konfiguration und Eichung bleiben gespeichert, während die Batterien gewechselt werden, damit anschließend keine Eichung durchgeführt werden muss.



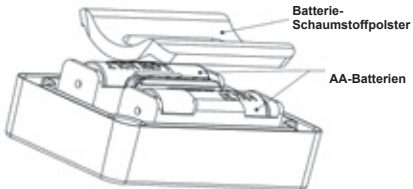
WARNUNG!

Beim Wechseln der Batterien sicherstellen, dass am Arbeitsbereich keine explosiven Dämpfe vorhanden sind, oder die Zählerelektronik in einen sicheren Bereich bringen, bevor die Batterien gewechselt werden.

Zum Wechseln der Batterien das Display entfernen, wie im Abschnitt über das Drehen des Displays beschrieben.

Der Batterie-Schaumstoffpolster kann an den Batterien anhaften. Diesen behutsam abnehmen und bei der Montage wieder einlegen. Der Batterie-Schaumstoffpolster schützt die Batterien und verhindert, dass sich diese lösen, wenn der Zähler grob behandelt wird.

Auf die Polarität der Batterien achten, die im Batteriefach angegeben ist. Der Zähler funktioniert nicht, wenn die Batterien falsch eingesetzt werden; außerdem kann dies zu Schäden führen.



⚠️ WARNUNG!

Zur Verringerung des Explosionsrisikos KEINE alten Batterien mit neuen Batterien oder Batterien verschiedener Hersteller mischen.

Batterien dürfen NUR durch folgende ersetzt werden:

- Duracell MN1500
- Energizer E91
- Duracell QU1500

Pflege und Lagerung

Wenn der Zähler längere Zeit nicht verwendet wird und mit einer Flüssigkeit verwendet wurde, die Rückstände hinterlassen kann, muss er mit einer verträglichen Flüssigkeit gespült werden, um ein Festkleben des Turbinenrads zu vermeiden.

Das Äußere des Zählers kann mit einer milden Waschmittellösung und einem feuchten Lappen abgewischt werden, um das Display zu reinigen. *Den Zähler nicht mit einem Hochdruckwäscher reinigen.*

⚠️ WICHTIG!

Durch die Verwendung von Druckluft WIRD der Zähler permanent beschädigt. Stets einen sachten Strom verträglicher Flüssigkeit zum Spülen des Zählerinneren verwenden.

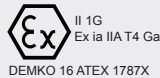
Gesetzliche Vorschriften

Sicherheitsprüfungszulassungen

Die Zähler der Fill-Rite Serie TT10 wurden auf Konformität mit den Normen geprüft, die von Underwriters Laboratories (UL), UL Canada, ATEX und anderen Prüforganisationen vorgeschrieben werden. **Zur Ermittlung, welche spezielle Konformität auf den vorliegenden Zähler zutrifft, sind Informationen und Konformitätslogos auf der Stirnseite des Zählers abzulesen.**

ÄHLER FÜR GEFAHRENZONEN Ausführliche Folgenabschätzung EIGENSICHER

Class I, Group D, T4; Class I, Zone 0, AEx ia IIA T4 Ex ia IIA T4; IECEx UL 16.0147X; Ex ia IIA T4 Ga; -40°C < Ta < +60°C



Informationen zur CE-Zulassung

Die Zähler der Serie TT10 mit der CE-Markierung sind gemäß den folgenden europäischen Richtlinien zertifiziert:

2011/65/EU: Richtlinie zur Beschränkung der Verwendung bestimmter gefährlicher Stoffe in Elektro- und Elektronikgeräten. 2014/30/EU: „Elektromagnetische Verträglichkeit“

Die folgenden Normen wurden zum Testen und Nachweisen von Konformität verwendet:

Emissionen

EN 55011:2009/A1:2010 Gruppe 1, Klasse B, Industrielle, wissenschaftliche und medizinische Geräte (ISM)

Störfestigkeit

EN 61326-1:2013, Elektrische Mess-, Steuer-, Regel- und Laborgeräte
IEC 61000-4-2: 2009 ESD
IEC 61000-4-3: 2006 A1:2008 und A2:2010 Störfestigkeit gegen Strahlung
IEC 61000-4-8: 2010 Magnetfeld
EN 60079-0: 2012 + A11:2013
IEC 60079 Edition 6
EN 60079-11: 2012
IEC 60079-11 Edition 6
UL60079-0 sechste Edition
UL60079-11 sechste Edition
CAN/CSA – C22.2 No 157-92
CAN/CSA – C22.2 No 60079-0:2014
CAN/CSA – C22.2 No 60079-11:2015
UL 25
ULC/ORD-C25

Tabelle 2: Anleitung zur Störungsbeseitigung

Problem	Mögliche Ursache	Lösung	Anmerkungen
Zähler lässt sich nicht einschalten.	<ul style="list-style-type: none"> Batterien sind leer Beschädigte Elektronik 	<ul style="list-style-type: none"> Batterien wechseln Zähler wechseln 	Dichtung zur Elektronik ist gerissen, wenn das Display entfernt oder durchstochen wird.
Blinkende Dezimalstelle	Zähler hat 9999 Einheiten überschritten	Das Display nullen, indem die Taste [2] gedrückt gehalten wird	Der Zähler wird weiter normal funktionieren.
BAT-Symbol blinkt	Batterien schwach	Batterien wechseln	Siehe Abschnitt „Batteriewechsel“.
Flüssigkeit tritt am Einlass-/Auslassanschluss aus	<ul style="list-style-type: none"> Es wird Gewindedichtmittel benötigt Anschlussgewinde ist verkantet angesetzt 	<ul style="list-style-type: none"> Dichtmittel in der Fuge auftragen Zähler wechseln 	
Flüssigkeit strömt; Zähler nicht korrekt	<ul style="list-style-type: none"> Turbinenrad klemmt Zählerausfall 	<ul style="list-style-type: none"> Zähler spülen Zähler wechseln 	
Zählermesswert ist nicht korrekt	<ul style="list-style-type: none"> Luft ist im System Zähler wurde verkehrt montiert Veränderte Flüssigkeitsviskosität Falscher CAL/Flüssigkeitsfaktor Mangelhafte Eichung 	<ul style="list-style-type: none"> Sicherstellen, dass der Zähler immer mit Flüssigkeit gefüllt ist Durchflussrichtung des Zählers korrigieren Korrekten CAL-/Flüssigkeitsfaktor verwenden Neu eichen 	Zähler zählt Luft. Flüssigkeitsviskositäten ändern sich mit der Temperatur.
Zähler arbeitet nicht konsistent/wiederholgenau	<ul style="list-style-type: none"> Luft ist im System Zähler wurde verkehrt montiert Teilchen in der Flüssigkeit Turbinenrad ist verklebt Betrieb außerhalb des Durchflussbereichs des Zählers 	<ul style="list-style-type: none"> Sicherstellen, dass der Zähler immer mit Flüssigkeit gefüllt ist Durchflussrichtung des Zählers korrigieren Zähler spülen Sieb vor Zähler anbringen Innerhalb des Durchflussbereichs des Zählers arbeiten 	Mindestens Siebweite 40 für Einlasssieb
Err0	<ul style="list-style-type: none"> Eichfehler Zähler könnte stark abgenutzt sein 	<ul style="list-style-type: none"> Mit einem genaueren Behälter neu eichen Zähler wechseln 	Zeigt an, dass die Flüssigkeitseichung außerhalb des akzeptablen Bereichs liegt. Volumetrischer Behälter ist eventuell nicht genau oder es befindet sich Luft im System. Zähler könnte stark abgenutzt sein.
Err1	Beschädigte Elektronik oder Softwarefehler	<ul style="list-style-type: none"> Taste [2] gedrückt halten, um Zähler zurückzusetzen und danach Zähler neu eichen Zähler wechseln 	
Err2	Fehlerhafter EEPROM	Zähler wechseln	Zähler funktioniert zwar, aber Summen und Eichung gehen verloren, wenn die Batterien entfernt werden.

BESTIMMUNGEN DER EINGESCHRÄNKTEN GARANTIE

Überarbeitungsdatum: 1. August 2014

Fill-Rite- und Sotera-Produkte

Tuthill Transfer Systems (der „Hersteller“) garantiert jedem Käufer seiner Produkte (dem „Käufer“) ab dem Verkaufsdatum, dass die hergestellten Waren (die „Waren“) frei von Werkstoffmängeln und Fertigungsfehlern sein werden.

Garantiedauer:

Ab Verkaufsdatum	Nicht länger als der folgende Zeitraum beginnend mit dem Herstellungsdatum	Produktserie	
Fünf Jahre	60 Monate	Pumpen der Serie SP100	Pumpen der Serie 400
Zwei Jahre	27 Monate	Hochleistungspumpen und -zähler, Zähler 820, 825 und 850	Schrankpumpen, Schrankzähler, TN-Zähler, TM-Zähler, TS-Zähler
Ein Jahr	15 Monate	Standardpumpen und -zähler, Pumpen 1600	Zubehör Teile

* Der Verkaufsstelle muss ein Kaufbeleg vorgelegt werden

** Eine Definition der Produktbezeichnungen „Hochleistung“ und „Standard“ ist im Anhang zu finden

Endbenutzer müssen im Garantiefall die Stelle aufsuchen, bei der das Produkt gekauft wurde. „Verkaufsstelle“ sind TTS-Vertragshändler, einschließlich Händler, Versandhändler, Kataloghändler, Online-Stores und kommerzielle Vertrieber.

Die einzige Verpflichtung des Herstellers unter dieser Garantie ist nach Wahl des Herstellers beschränkt auf den Ersatz der defekten Waren (unterliegt später angeführten Einschränkungen) oder die Rückerstattung des Kaufpreises für solche Waren, der vom Käufer bezahlt wurde; und das ausschließliche Rechtsmittel des Kunden bei Verstoß gegen solche Garantien ist die Durchsetzung dieser Verpflichtung gegenüber dem Hersteller. Falls der Hersteller die Rücksendung der Waren anfordert, sind die Waren den Anweisungen des Herstellers entsprechend freigegeben an das Werk zu senden.

Die hier enthaltenen Abhilfen sind das einzige Rechtsmittel des Käufers gegenüber dem Hersteller bei einem Verstoß gegen die Garantiebestimmungen. **IN KEINEM FALL HAFTET DER HERSTELLER FÜR ANSPRÜCHE BEI SCHÄDEN AUFGRUND DER FERTIGUNG, DES VERKAUFS, DER LIEFERUNG ODER DER NUTZUNG DER WAREN, DIE HÖHER ALS DER VERKAUFSPREIS SIND.**

Die vorstehende Garantie erstreckt sich nicht auf Waren, die misshandelt oder vernachlässigt wurden, Unfällen ausgesetzt waren, falsch installiert oder gewartet wurden oder die von jemandem anderen als dem Hersteller oder seiner autorisierten Vertretung repariert wurden. **DIE VORSTEHENDE GARANTIE IST AUSSCHLIESSLICH UND GILT ANSTELLE ALLER ANDEREN GARANTIEEN DER HANDELSÜBLICHEN QUALITÄT, EIGNUNG FÜR EINEN BESTIMMTEN ZWECK ODER BELIEBIGE ANDERE ART VON GARANTIE – AUSDRÜCKLICH ODER STILLSCHWEIGEND.** Die vorstehende Garantie und Abhilfen dürfen von niemanden geändert werden, außer schriftlich unterzeichnet von einem befugten Vorstandsmitglied des Herstellers. Die Entgegennahme der zugestellten Waren durch den Käufer stellt die Annahme der vorstehenden Garantien und Abhilfen sowie allen Bedingungen und Einschränkungen dieser Garantie dar.



Tuthill Corporation
8825 Aviation Drive | Fort Wayne, Indiana 46809
P (800) 634-265 | (260) 747-7524
F (800) 866-4681

www.tuthill.com

www.fillrite.com

www.sotera.com

Tuthill UK LTD.
Birkdale Close Manners Industrial Estate
Ilkeston, Derbyshire
DE7 8YA
UK
P +44 0 115 932 5226
F+44 0 115 932 4816

