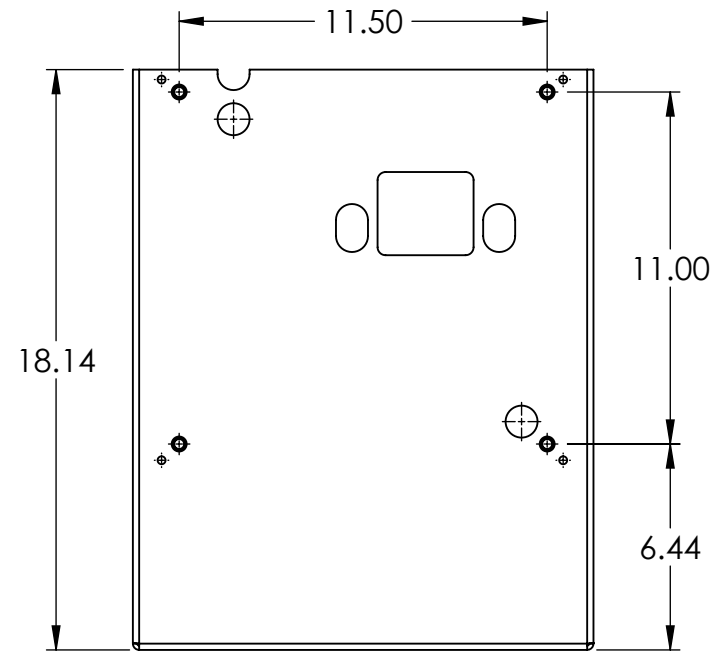
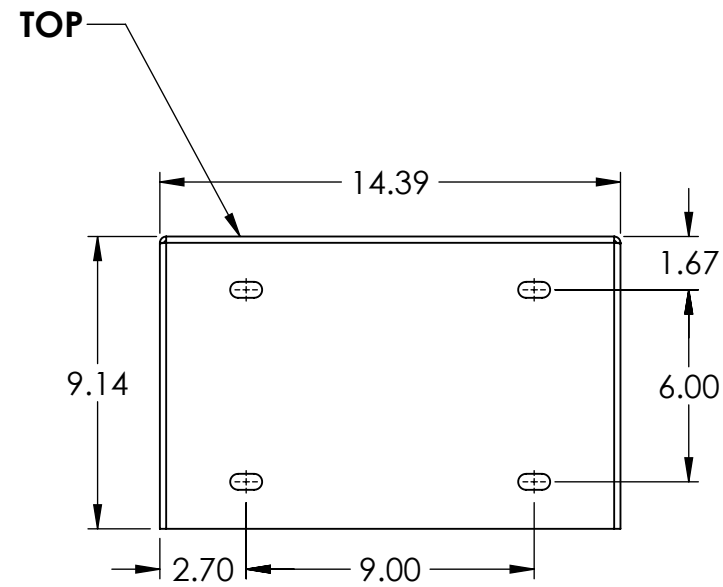
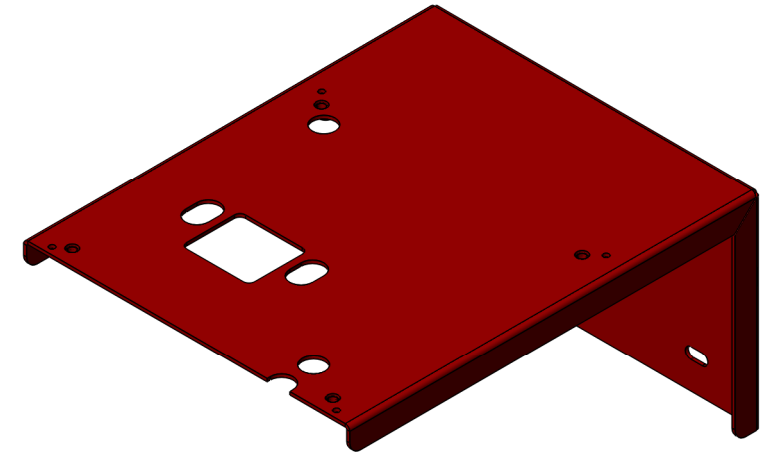


PART NUMBER  
MF000076-000



TOP VIEW



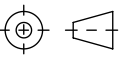
TOP

0	010055	11/17/09	MOUNTING PLATE, 902 CABINET
REV	ECN NUMBER	DATE	

MATERIAL STEEL, 10 GAGE	PART NUMBER MF000076-000
-------------------------	-----------------------------

**▷ DENOTES DIMENSION CRITICAL TO QUALITY**  
**NOTICE** THIS DRAWING AND THE PRINCIPLES AND ELEMENTS OF DESIGN EMBODIED THEREIN ARE THE EXCLUSIVE PROPERTY OF TUTHILL CORPORATION, TUTHILL TRANSFER SYSTEMS AND ARE NOT TO BE COMMUNICATED, DISCLOSED, REPRODUCED OR USED EXCEPT AS PREVIOUSLY AUTHORIZED IN WRITING BY SAID COMPANY AND MUST NOT BE SUBMITTED TO OUTSIDE PARTIES FOR EXAMINATION WITHOUT THE CONSENT OF SAID COMPANY

**UNLESS OTHERWISE SPECIFIED**  
**DIMENSIONS ARE IN INCHES**  
**TWO PLACE DECIMAL** ± 0.01in  
**THREE PLACE DECIMAL** ± 0.005in  
**FOUR PLACE DECIMAL** ± 0.0005in  
**ANGULAR** ± 0.5°  
**MACHINED SURFACE FINISH** 64 μ" AA MAX

**THIRD ANGLE PROJECTION USED**  
  
 DATE 11/17/2009  
 DWN MSJ  
 SHEET 2 OF 2

