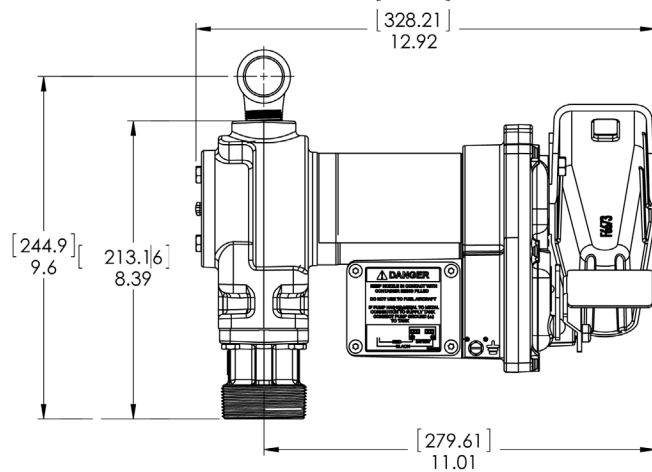
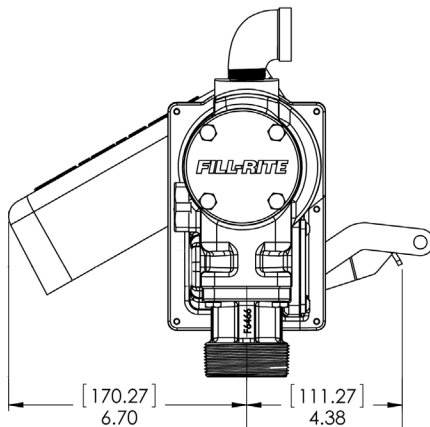
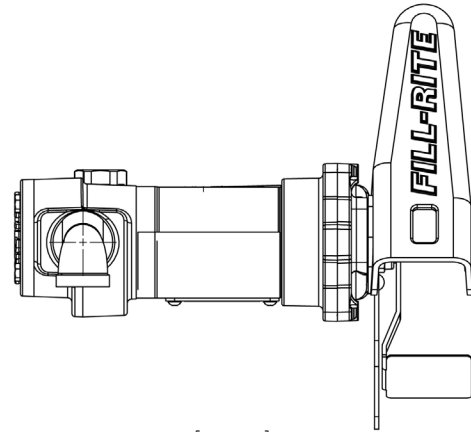


# FILL-RITE®

The Most Trusted Name in Pumps and Meters

## FR610G Series Technical Specifications

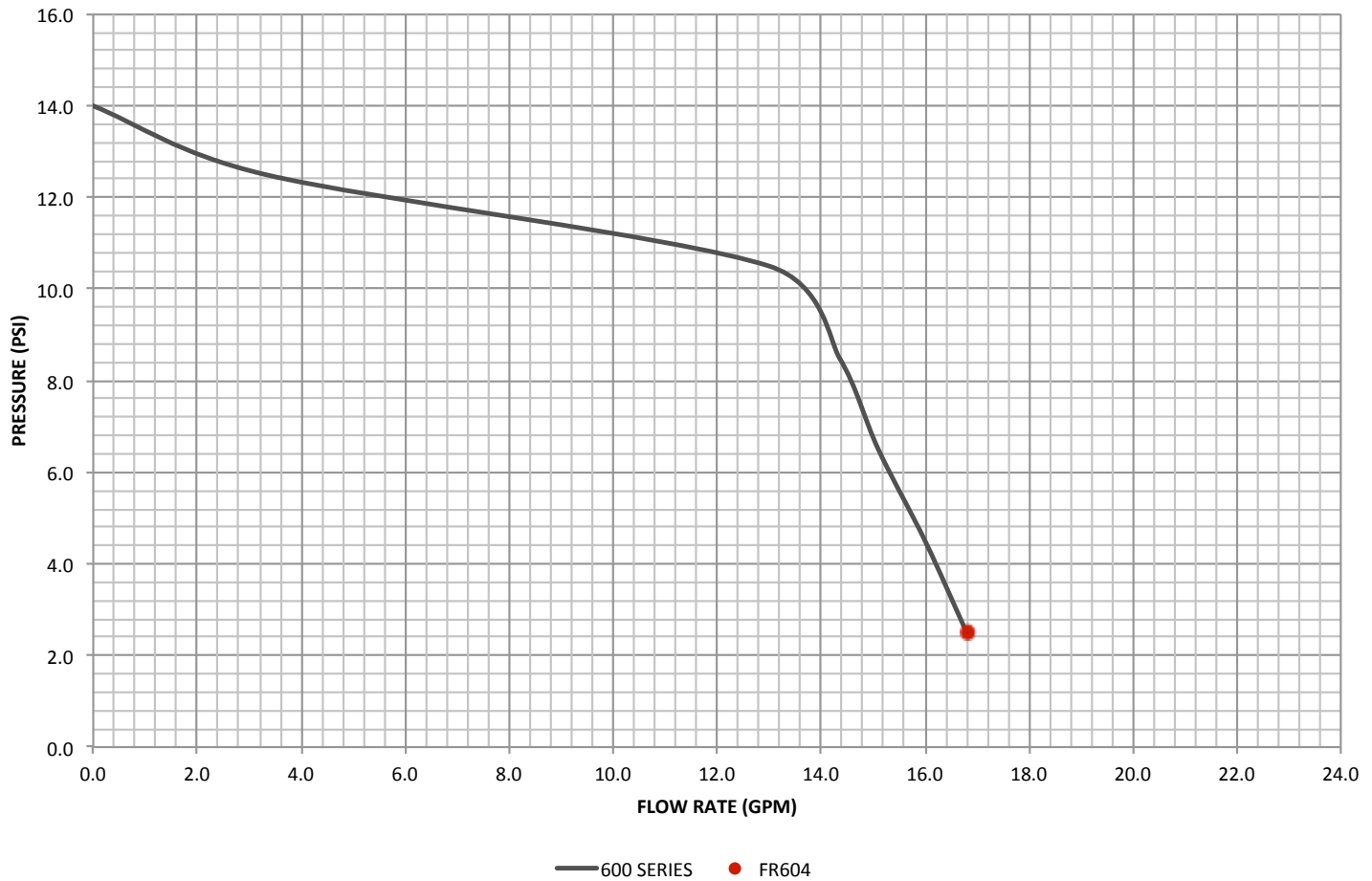


| Pump                                 |  | Motor                       |         |
|--------------------------------------|--|-----------------------------|---------|
| Type - Rotary, Diaphragm, Gear, Vane | Rotary Vane                              | Power - AC 115,230, 115/230 | 115     |
| GPM in Supplied Configuration        | 14.8                                     | HZ 50,60,50/60              | 60      |
| GPM Open Flow - no Hose or Nozzle    | 17.4                                     | Power - DC 12, 24, 12/24    | N/A     |
| By-Pass Pressure Rating (PSI) - Max  | 16 PSI                                   | HP (Horsepower) Rating      | 1/6 HP  |
| Dry Vac (in Hg)                      | 5  | Power Cord Length (feet)    | N/A     |
| Head - Max (Ft.)                     | 36.96                                    | Power Cord Gauge (AWG)      | N/A     |
| Anti-Siphon Valve                    | None                                     | DC Power Cord Connectors    | None    |
| Inlet - Size / Thread                | 1"                                       | Amps (FLA)                  | 2.0     |
| Outlet - Size / Thread               | NPT                                      | RPM                         | 2000    |
| Mount                                | Bung                                     | Duty Cycle                  | 30 min. |
| Material - Pump Housing              | Cast Iron                                | Thermal Protection Switch   | Yes     |
| Material - Wetted Material           | Buna                                     | Circuit Protection Fuse     | None    |
| Rotor Material                       | Powdered Iron                            | Certification               | UL, cUL |
| Rotor Vane Material                  | Bronze                                   |                             |         |
| Compatible Fluids                    | Diesel, Gasoline,<br>BioDiesel up to B20 |                             |         |
| Strainer Mesh Size                   | 20 X 20                                  |                             |         |
| Warranty                             | 2 Years                                  |                             |         |



Excellence at work. Excellence in life.

## 600 SERIES PERFORMANCE CURVE



### SERVICE KIT INFORMATION

| Kit      | Description           | Parts   |
|----------|-----------------------|---|
| KIT120BD | BioDiesel Kit         | O-ring seal, bypass valve poppet, bypass cap seal, inlet seal         |
| KIT120RG | Rotor & Vane Kit      | Rotor cover, rotor, vanes, rotor key, O-ring seal, attaching hardware |
| KIT120JC | Junction Cover Kit    | Junction cover, seal  |
| KIT120SL | Seal Kit              | O-ring, shaft seals, retainer clip                                    |
| KIT120BV | By-Pass Service Kit   | Screen, bypass valve, valve spring, bypass cap, O-ring seal           |
| KIT120NB | Nozzle Boot Kit       | Nozzle boot, attaching hardware                                       |
| KIT120BG | Inlet Flange Kit      | Inlet flange (bung), attaching hardware, inlet seal, screen           |
| KIT120SG | Inlet Gasket & Screen | Gasket for inlet (bung) and screen                                    |
| KIT120SW | Switch Lever Kit      | Switch lever, mounting hardware                                       |

### Accessories

|  |                      |
|--|----------------------|
| Suction pipe material                      | Steel                |
| Suction pipe length - extended/notextended | 40.5 / 23            |
| Nozzle - size                              | 3/4"                 |
| Nozzle - Manual / Automatic                | Manual               |
| Hose liquid materials compatibility        | Black Nitrile Rubber |
| Hose diameter                              | 3/4"                 |
| Hose length                                | 12'                  |
| Hose static wire (Y/N)                     | Yes                  |

### Logistics

|  |                 |
|--|-----------------|
| UPC                                    | 0-89404-17770-9 |
| Freight Class of Product (Number Only) | 85              |
| Length                                 | 17              |
| Width                                  | 15              |
| Height                                 | 15              |